



Collection 2017

Mercedes-Benz





**The Mercedes-Benz Collection.  
24 hours without compromise.  
Every day.**

Genuine beauty is timeless. Which is why the Mercedes-Benz Collection is packed with high-quality accessories that were created to accompany you around the clock in style. Day after day. With exciting design, intelligent functionality and exclusive quality. And without any need for compromise. Choose the best or nothing.



## CONTENTS

# Sport 02

**BIKES** page 04, **GOLF** page 08, **MOTORSPORT** page 12

# Watches 28

# Fashion 38

**MEN** page 40, **WOMEN** page 50, **HATS & SCARVES** page 52,  
**CAPS** page 53

# Accessories 56

**PENS** page 58, **SUNGLASSES** page 59,  
**JEWELLERY & BELTS** page 62

# Black Edition 64

# Travel 68

**LUGGAGE** page 70, **HANDBAGS & LEATHER GOODS** page 72,  
**BAGS & RUCKSACKS** page 73, **UMBRELLAS** page 84

# Key rings 86

# Gift ideas 94

**CHILDREN** page 96, **GIFT ITEMS** page 108,  
**MODEL CARS** page 120

# AMG 124

# Maybach 138

# Other 142





SPORT

## 8:30 a.m. // Workout

**CRATER LAKE FITNESS BIKE** page 06, **CYCLE HELMET** page 06, **RUCKSACK** page 82, **MEN'S SWEAT JACKET** page 43, **MEN'S MOTORSPORTS CHRONO CHRONOGRAPH WATCH** page 36, **BUSINESS CLUTCH BAG** page 77

**1 RAVEN MOUNTAIN BIKE**

Black. Exclusive design with carbon fibre frame, 22 speeds, suspension fork and disc brakes. 27.5-inch wheels for frame height 38/42. 29-inch wheels for frame height 46/50. Weight approx. 11.4 kg. Load capacity of up to approx. 100 kg. By FOCUS for Mercedes-Benz. German engineered. B6 645 0116-0119

**RAVEN ELITE CARBON MOUNTAIN BIKE**

<b>FRAME</b>	Carbon fibre, internal cable routing
<b>FORK</b>	RockShox Reba RL, 100 mm
<b>WHEELSET</b>	Concept EX, 29" (M, L), 27.5" (XS, S)
<b>TYRES</b>	Continental Race King SL 2.2
<b>CHAINRINGS</b>	Shimano SLX
<b>CRANKSET</b>	Shimano SLX
<b>GEAR RATIO</b>	front: 36/26, rear: 11-40
<b>SHIFTER</b>	Shimano SLX
<b>REAR DERAILLEUR</b>	Shimano XT, 11-speed
<b>FRONT DERAILLEUR</b>	Shimano SLX
<b>BRAKES</b>	Shimano Deore, 180 mm/160 mm hydraulic disc brake
<b>HEADSET</b>	Acros AIX-322
<b>STEM/HANDLEBARS</b>	Concept Race
<b>SADDLE/SEAT POST</b>	Concept EX/Concept Race, 27.2 mm



<b>CAYO DISC ULTEGRA CARBON ROAD BIKE</b>	
<b>FRAME</b>	Carbon fibre, internal cable routing
<b>FORK</b>	Carbon fibre
<b>WHEELSET</b>	DT-SWISS R522
<b>TYRES</b>	Continental Ultra Sport SL, 25C
<b>CHAINRINGS</b>	Shimano 105
<b>CRANKSET</b>	Shimano Ultegra
<b>GEAR RATIO</b>	front: 52/36, rear: 11-28
<b>SHIFTER</b>	Shimano RS685
<b>REAR DERAILLEUR</b>	Shimano Ultegra, 11-speed
<b>FRONT DERAILLEUR</b>	Shimano Ultegra
<b>BRAKES</b>	Shimano Ultegra, 160 mm/160 mm hydraulic disc brake
<b>HEADSET</b>	FSA Orbit C33
<b>STEM/HANDLEBARS</b>	Concept
<b>SADDLE/SEAT POST</b>	Concept EX/Concept, 27.2 mm

## 2 CAYO DISC RACING BIKE

Black. Exclusive design with carbon fibre frame, 22 speeds, carbon fibre fork, disc brakes and 28-inch wheels. Weight approx. 7.9 kg. Load capacity of up to approx. 100 kg. By FOCUS for Mercedes-Benz. German engineered. B6 645 0120-0124



2



**FOCUS**

**1 CRATER LAKE FITNESS BIKE**

Black. Exclusive design with aluminium frame, 27 speeds, suspension fork, disc brakes and 28-inch wheels. Weight approx. 13.5 kg. Load capacity of up to approx. 100 kg. By FOCUS for Mercedes-Benz. German engineered. B6 645 0108-0111

**2 AVENTURA TREKKING BIKE**

Like the Crater Lake fitness bike. Additional equipment: hub dynamo, mudguards and pannier rack. Weight approx. 15.6 kg. Load capacity of up to approx. 100 kg. By FOCUS for Mercedes-Benz. German engineered. B6 645 0112-0115

**3 CYCLE HELMET**

Matte black. Plastic. With FAS strap system and vents. One size. Adjustable between approx. 56–61 cm. By uvex for Mercedes-Benz. Made in Germany. B6 645 0055

**CRATER LAKE FITNESS BIKE  
AVENTURA TREKKING BIKE**

<b>FRAME</b>	Aluminium
<b>FORK</b>	SR Suntour NEX HLO, 63 mm, lockout
<b>WHEELSET</b>	Concept
<b>TYRES</b>	Schwalbe Smart Sam (Crater Lake) Schwalbe Citizen Light 42-622 (Aventura)
<b>CHAINRINGS</b>	Shimano Alivio
<b>CRANKSET</b>	Shimano Acera
<b>GEAR RATIO</b>	front: 48/36/26, rear: 11-34
<b>SHIFTER</b>	Shimano Acera
<b>REAR DERAILEUR</b>	Shimano Deore, 9-speed
<b>FRONT DERAILEUR</b>	Shimano Acera
<b>BRAKES</b>	Tektro HD-M285, 160 mm/160 mm hydraulic disc brake
<b>STEM/HANDLEBARS</b>	Concept
<b>EXTRAS FOR AVENTURA</b>	
<b>MUDGUARD/REAR CARRIER</b>	Büchel Sport/Carrier Sport
<b>SADDLE/SEAT POST</b>	Concept Cross/Concept, 31.6 mm
<b>FRONT LIGHT</b>	Basta Echo 15, with switch
<b>REAR LIGHT</b>	Herrmans H-TRACE









**German engineering.** German engineering is the driving force behind the success of both Mercedes-Benz and our partner FOCUS. Both brands offer their customers an inspiring experience and a constant stream of compelling innovations. Close collaboration between these two powerful brands has resulted in a series of bikes that are not only a joy to ride but also combine technical reliability with high design standards. These are bikes that have been developed by people whose working life is based around their greatest passion.



**Golf cart bag divider.**

### 1 GOLF CART BAG

Black. Polyester/imitation leather. 14-way dividers and 8 further compartments, including 1 insulated compartment for drinks. With shoulder strap and detachable rain hood. By TaylorMade for Mercedes-Benz. Size approx. 42 × 91 × 30 cm. Weight approx. 2.8 kg. B6 645 0105

### 2 GOLF CART BAG

White/plum. Polyester. With 14-way top and 9 further compartments, 1 of them for drinks. With shoulder strap and detachable rain hood. By TaylorMade for Mercedes-Benz. Size approx. 91 × 42 × 30 cm. Weight approx. 3.0 kg. B6 645 0079

### 3 GOLF STAND BAG

Black. Polyester. Various compartments and pockets. Towel clip. Umbrella sleeve. Ergonomic, adjustable 4-point carrying strap. Carry handle. Incl. rain hood. By TaylorMade for Mercedes-Benz. Weight approx. 2.2 kg. B6 645 0063



1



2

All products  
on this page

**TaylorMade**



3



4



5

### 4 GOLF BALLS, SET OF 3

White/lavender. Urethane. 2-piece Iothane™ construction. REACT™ Core. Outstanding flight characteristics. By TaylorMade for Mercedes-Benz. B6 645 0078

### 5 GOLF BALLS, SET OF 3

White. Urethane. REACT™ Core. Seamless LDP® 322 Dimple Pattern. Spin Mantle™ Technology. New Soft Tech™ Cover. By TaylorMade for Mercedes-Benz. B6 645 0062



**"CORZA LADY" GOLF CART BAG** page 08, **GOLF SHOE BAG** page 10, **SUN VISOR** page 52,  
**WOMEN'S SPORT FASHION CHRONOGRAPH WATCH** page 31



1

All products  
on this page



**1 GOLF SHOE BAG**

Black. Nylon. Large, zipped main compartment. Ventilation holes. By TaylorMade for Mercedes-Benz. Size approx. 28 × 38 × 13 cm. B6 645 0103



2

**2 GOLF SPORTS BAG**

Black. Nylon. Large zipped main compartment. Detachable shoulder strap. By TaylorMade for Mercedes-Benz. Size approx. 56 × 31 × 29 cm. B6 645 0104



3

**3 GOLF GIFT SET, LARGE**

Black/white. 3 TaylorMade "Tour Preferred X" golf balls. 1 golf club towel, approx. 40 × 60 cm. 10 tees. Divot repair tool with ball marker. In high-quality gift packaging. By TaylorMade for Mercedes-Benz. Packaging approx. 29.5 × 21 × 5 cm. B6 645 0126



4

**4 GOLF GIFT SET, SMALL**

Black/white. 2 TaylorMade "Tour Preferred X" golf balls, 5 tees. Divot repair tool with ball marker. In high-quality gift packaging. By TaylorMade for Mercedes-Benz. Packaging approx. 21 × 12 × 5 cm. B6 645 0125

**5 MEN'S POLO SHIRT**

Black/white/silver. 95% cotton/  
5% elastane. Moisture Manager tech-  
nology to wick moisture away from  
the skin. Odour control. Single-rib  
collar and cuffs. Button band with  
HUGO BOSS branded buttons. Slim fit.  
By BOSS Green for Mercedes-Benz.  
Sizes S-XXL. B6 695 8478-8482



5



6

**6 MEN'S JACKET**

Black/white. 100% polyester. Hood,  
collar, shoulders and upper sleeves in  
mesh. High-closing collar. Adjustable  
drawstring hood. Black Mercedes star  
badge below left side pocket. HUGO  
BOSS logo embossed on back and on  
lining. By BOSS Green for  
Mercedes-Benz. Sizes S-XXL.  
B6 695 8463-8467



7

**7 MEN'S POLO SHIRT**

Green/black. 65% cotton/35% poly-  
ester. Moisture Manager technology  
to wick moisture away from the skin.  
Collar and cuffs in single rib. Regular  
fit. By BOSS Green for Mercedes-Benz.  
Sizes S-XXL. B6 695 8468-8472

All products  
on this page

**BOSS**  
HUGO BOSS



**Champions again!** The MERCEDES AMG PETRONAS Formula 1 team has done the double again, winning both the Constructors' Championship and the Drivers' Championship for the third time in a row. Share in the success with official replica products, cool, sporty lifestyle wear made by PUMA and a whole range of other accessories for true fans of the reigning F1 Champions!



**AMG**  
**PETRONAS**  
MOTORSPORT



1+2

3

### 3 WOMEN'S T-SHIRT

100% cotton. Short sleeves. Silver details. Official MERCEDES AMG PETRONAS Driver T-shirt for the 2017 Formula 1 season. Various sponsor logos. Sizes XS–XL.  
black B6 799 5358–5362<sup>1</sup>.  
white B6 799 5363–5367<sup>1</sup>

### 4 MEN'S SHIRT

Black with silver details. 100% cotton. Short sleeves. Breast pocket. Concealed button band. Official MERCEDES AMG PETRONAS Team shirt for 2017 Formula 1 season. Various sponsor logos. Sizes XS–XXL.  
B6 799 5286–5291<sup>1</sup>



4

### 1 MEN'S T-SHIRT

100% cotton. Short sleeves. Silver-coloured details. Normal fit. Official MERCEDES AMG PETRONAS Driver T-shirt for the 2017 Formula 1 season. Various sponsor logos.  
Sizes XS–XXL.  
black B6 799 5346–5351<sup>1</sup>.  
white B6 799 5352–5357<sup>1</sup>

### 2 CHILDREN'S T-SHIRT

100% cotton. Various sponsor logos. Official MERCEDES AMG PETRONAS Driver T-shirt for the 2017 Formula 1 season. Sizes 104–152.  
black B6 799 5368–5372<sup>1</sup>.  
white B6 799 5373–5377<sup>1</sup>

<sup>1</sup> Available from May 2017.

For details of clothing sizes, see pages 142/143.



### 1 MEN'S SOFTSHELL JACKET

Black. 100% polyester. Water-repellent front zip. Adjustable cuffs. Zipped side pockets. Chin guard. Official MERCEDES AMG PETRONAS Team softshell jacket for 2017 Formula 1 season. Various sponsor logos. Sizes XS-XXL. B6 799 5378-5383<sup>1</sup>



### 2 MEN'S CAGOULE

Black with silver details. 100% polyester. Water-repellent concealed front zip. Sealed seams. Adjustable cuffs. Adjustable fit Official MERCEDES AMG PETRONAS team cagoule for 2017 season. Various sponsor logos. Sizes XS-XXL. B6 799 5384-5389<sup>1</sup>

<sup>1</sup> Available from May 2017.





3



4



5



7

### 7 WOMEN'S T-SHIRT

Grey. 95% cotton/5% elastane. Perforated print with silver metallic details. Slim fit. ROSBERG and 06 print on back. MERCEDES AMG PETRONAS logo print on sleeve. Sizes XS–XL. B6 799 5402–5406<sup>1</sup>

### 8 WOMEN'S T-SHIRT

(not pictured) Grey. 95% cotton/5% elastane. Perforated print with silver metallic details. Slim fit. HAMILTON and 44 print on the back. MERCEDES AMG PETRONAS logo print on sleeve. Sizes XS–XL. B6 799 5407–5411<sup>1</sup>

### 3 KNITTED HAT

Black. 100% cotton. Official team beanie for the 2017 Formula 1 season. BOSS embroidered on back. B6 799 5417<sup>1</sup>

### 4 MEN'S PULLOVER

Grey. 100% cotton. Structured stand-up collar with zip. Embroidered details on the elbows. Various embroidered logos. Sizes XS–XXL. B6 799 5418–5423<sup>1</sup>

### 5 MEN'S T-SHIRT

Black. 100% cotton. Perforated print with silver metallic details. HAMILTON and 44 print on the back. MERCEDES AMG PETRONAS logo print on sleeve. Sizes XS–XXL. B6 799 5390–5395<sup>1</sup>

### 6 MEN'S T-SHIRT

(not pictured) Black. 100% cotton. Perforated print with silver metallic details. ROSBERG and 06 print on the back. MERCEDES AMG PETRONAS logo print on sleeve. Sizes XS–XXL. B6 799 5396–5401<sup>1</sup>

<sup>1</sup> Available from May 2017.

For details of clothing sizes, see pages 142/143.





### 1 HAMILTON CAP

Black. 100% cotton. Lewis Hamilton Wings logo on back, MERCEDES AMG PETRONAS logo on side, Monster Energy® logo on underside of peak. Adjustable fit. B6 799 5300<sup>1</sup>

### VALTTERI BOTTAS CAP

(not pictured) Black. Details as per Hamilton cap. B6 799 5424<sup>1</sup>

### 2+3 MEN'S FLAT BRIM CAP

**HAMILTON** 100% cotton. Lewis Hamilton Wings logo on back. MERCEDES AMG PETRONAS logo on side, Monster Energy® logo on underside of peak. Adjustable fit. white B6 799 5413<sup>1</sup>. black B6 799 5412<sup>1</sup>

### VALTTERI BOTTAS FLAT BRIM CAP

(not pictured) Details as per Hamilton flat brim cap. white B6 799 5415<sup>1</sup>. black B6 799 5414<sup>1</sup>

### 4+5 TEAM CAP

100% cotton. MERCEDES AMG PETRONAS logo on the side, team logos on the sides. Adjustable fit. white B6 799 5298<sup>1</sup>. black B6 799 5299<sup>1</sup>



1



2



3



4



5

**1 MEN'S T-SHIRT**

Green. 51% cotton/49% polyester. PUMA dryCELL technology wicks moisture away from the skin. By PUMA for Mercedes-Benz. Sizes XS-XXL. B6 799 7069-7074



1

**2 MEN'S T-SHIRT**

Black. 100% cotton. PUMA dryCELL technology wicks moisture away from the skin. By PUMA for Mercedes-Benz. Sizes XS-XXL. B6 799 7075-7080



2

All products  
on this page



3

**3 MEN'S POLO SHIRT**

Grey with black contrasts. 100% cotton. PUMA dryCELL technology wicks moisture away from the skin. Zipped breast pocket. By PUMA for Mercedes-Benz. Sizes XS-XXL. B6 799 7087-7092



4



5

**4 MEN'S T-SHIRT**

Black. 100% cotton. PUMA dryCELL technology wicks moisture away from the skin. By PUMA for Mercedes-Benz. Sizes XS-XXL. B6 799 7081-7086

**5 MEN'S T-SHIRT**

Green. 51% cotton/49% polyester. PUMA dryCELL technology wicks moisture away from the skin. By PUMA for Mercedes-Benz. Sizes XS-XXL. B6 799 7063-7068

All products  
on this page

**6 MEN'S SWEAT JACKET**

Green with black contrasts. 80% cotton/20% polyester. Reliably wicks moisture away from the skin. Zipped breast pocket and side pockets. By PUMA for Mercedes-Benz. Sizes XS-XXL. B6 799 7093-7098



6

**7 MEN'S SWEAT JACKET**

Grey. 80% cotton/20% polyester. Reliably wicks moisture away from the skin. Zipped breast pocket and side pockets. By PUMA for Mercedes-Benz. Sizes XS-XXL. B6 799 7099-7104



7



1

**1 MEN'S WINDCHEATER**

Silver/black. 90% nylon/10% polyester. PUMA windCELL technology. Zipped breast pocket and side pockets. By PUMA for Mercedes-Benz. Sizes XS-XXL. B6 799 7105-7110

**2 MERCEDES AMG PETRONAS FLAG**

Black. 100% polyester. Size approx. 90 x 60 cm. B6 799 7323



2

**3 MUG**

Black. Ceramic. Matte finish. Official MERCEDES AMG PETRONAS licensed product. Capacity approx. 0.3 l. B6 799 5416<sup>1</sup>



3

**4 NAIL POLISH, SET OF 2**

Petronas green/arrow silver. By LCN for Mercedes-Benz. Made in Luxembourg. Contents approx. 8 ml per polish. B6 799 6159<sup>1</sup>



4

<sup>1</sup> Available from May 2017.

**5 MEN'S T-SHIRT**

Black/silver-grey. 100% cotton. Carbon fibre-look neck tape, side vent trim and print on sleeves. Mercedes-Benz lettering on back. Sizes S-XXL. B6 799 5271-5275



5

**6 MEN'S DTM CAP**

Silver with black contrasts. Outer material 100% polyester. Lining 100% cotton. 6-panel. Carbon fibre-look underside of peak. 3D AMG logo embroidered on back. Matte black metal clasp at back, embossed with 3D star logo. Adjustable fit. B6 799 5277



6



1



2



3



**1 MERCEDES-AMG GT S, C190**  
 1:18. Manufacturer: Norev. designo diamond white bright B6 696 0614

**2 CAP**  
 White, with lime green and blue contrasts. Polyester/cotton. Fabric fastening tab. Blue "Laureus" logo print on left side panel, blue "Sport for Good" print on right side panel. One size (approx. 58 cm). B6 695 3149

**3 TEDDY BEAR**  
 Beige. 100% polyester plush. Age 0+. By NICI for Mercedes-Benz. Size approx. 25 cm. B6 695 3210





**Mercedes-Benz is one of the founding partners of the “Laureus Sport for Good Foundation”.**

Since the foundation was established in 2000, Mercedes-Benz has been supporting and promoting the goals and values of this worldwide charitable programme, which aims to help improve the lives of underprivileged or sick children and young adults through sports-based social projects. Laureus has become a fundamental part of Mercedes-Benz’s social responsibility programme. Every new Mercedes is an ambassador embodying these values.

By purchasing these products, you are supporting the “Laureus Sport for Good Foundation”. 1,500,000 children say THANK YOU!



Global Partner





**Proud supporters of the World Cup winners, Mercedes-Benz's** partnership with the German Football Association began back in 1972. It is a partnership based on shared values such as perfection, excitement and variety, and it's hard to imagine German sport without it. In our role as general sponsor and in keeping with the motto #JederFürJeden [all for all], we captured Germany's team spirit in the official ONE TEAM Collection, which we launched in partnership with the German Football Association. The Collection not only underlines our partnership but also invites fans to be part of it.

**1 MEN'S ONE TEAM T-SHIRT**

Black with red contrasts. 100% cotton. Slim fit. Mercedes-Benz DFB partner logo and Mercedes-Benz lettering on back. Sizes S-XXXL. B6 695 8191-8196

**2 CHILDREN'S ONE TEAM**

**T-SHIRT** Black with red contrasts. 100% cotton. Mercedes-Benz DFB partner logo and Mercedes-Benz lettering on back. Sizes 104-152. B6 695 8197-8201



1+2



3

**3 ONE TEAM CAP**

Black. Underside of peak in red. 100% cotton. Snapback fastener with black/red/gold woven label. Mercedes star embroidered on right side, DFB eagle logo embroidered on left side. B6 695 8190

**4 ONE TEAM FLAT BRIM CAP**

Black. Underside of brim in red. 100% cotton. Snapback fastener with black/red/gold woven label. Mercedes star embroidered on right side, DFB eagle logo embroidered on left side. Adult head circumference approx. 55-61 cm. B6 695 8188  
Child head circumference approx. 51-54 cm. B6 695 8189



4



1



2

**1 ONE TEAM DRAWSTRING**

**SPORTS BAG** Black with red draw-string. 100% polyester. Small zipped side pocket. Size approx. 36 × 44 cm. B6 695 8204

**2 COVER FOR iPhone® 6/6S**

Black/red. Plastic with soft touch finish. B6 695 8202

**3 ONE TEAM KEY RING**

Silver-coloured/black. Stainless steel. Flat split ring with three additional mini split rings for quick removal/replacement of individual keys. Fob featuring Mercedes-Benz DFB partner logo. Made in Germany. Length approx. 8 cm. B6 695 8203

**4 ONE TEAM BRACELET**

Black/white. Silicone. Adults' size approx. 20.2 × 2.0 × 0.2 cm. B6 695 8213.  
Children's size approx. 18.3 × 2.0 × 0.2 cm  
B6 695 8214



3



4



5

**5 ONE TEAM SPACE HOPPER**

White. Plastic. Diameter approx. 40 cm. Age 3+. B6 695 8205



6

**6 ONE TEAM CHILDREN'S FOOTBALL**

White. PVC. Made in Germany. Diameter approx. 22 cm. B6 695 8212



7

**7 ONE TEAM FOOTBALL**

White with black and red star design. Polyurethane. Classic panel design. International Matchball Standard. Size 5. B6 695 8211

**DERBYSTAR** |  **SELECT**



8

**8 FOOTBALL**

White/black/silver. Polyurethane. PVC-free. 32 pieces, hand-stitched. 7-wing bladder. Steady, smooth flight behaviour. Lasting shape retention. Suitable for all surfaces and any weather. By DERBYSTAR for Mercedes-Benz. Size 5. Official size and weight. B6 695 5350





WATCHES

## 09:45 a.m. // Café

**WOMEN'S WATCH** page 30, **WOMEN'S SUNGLASSES** page 60,  
**WOMEN'S WALLET** page 79, **WOMEN'S SCARF** page 52

**1 WOMEN'S CLASSIC LADY**

**WATCH** Stainless steel case with gold-coloured PVD coating. Silver-coloured dial with gold-coloured Roman numerals and hour markers. Gold-coloured hands. Stainless steel Milanese mesh strap with gold-coloured PVD coating. Water-resistant to 5 ATM. Diameter 34 mm. Ronda 773 quartz movement. Swiss movt. B6 604 1570



**2 WOMEN'S BUSINESS WATCH**

Gold/black. Stainless steel case. Black dial with gold-coloured superimposed hour markers. Gold-coloured hands. Mineral crystal. Gold-coloured, coated stainless steel bracelet strap with black ceramic links. Water-resistant to 5 ATM. Diameter 34 mm. Ronda 785 quartz movement. Swiss made. B6 695 3069

**3 WOMEN'S WATCH**

Silver-coloured/gold-coloured. Stainless steel case. Silver-coloured dial with superimposed gold-coloured hour markers. Gold-coloured hands. Trimmed with 48 Swarovski® crystals as minute markers. Mineral crystal. Gold-coloured, coated stainless steel bracelet strap. Water-resistant to 10 ATM. Diameter 36 mm. Ronda 505 quartz movement. Swiss made. B6 695 3059





4

**4 WOMEN'S CLASSIC GLAMOUR WATCH** Silver-coloured/black. Stainless steel case. Black dial with eight Swarovski® crystals as hour markers and black Swarovski® Crystal Fine Rocks in centre. Silver-coloured luminous hands. Mineral crystal. Black calfskin strap. Water-resistant to 5 ATM. Diameter 37 mm. Miyota GM10 quartz movement. B6 604 1922



5

**5 WOMEN'S CLASSIC GOLD WATCH** Stainless steel case with yellow gold-coloured coating. Silver-coloured dial with black Roman numerals and hour markers. Brown leather strap. Luminous hands. Water-resistant to 5 ATM. Size 26 × 43 mm. Ronda 773 quartz movement. Swiss made. B6 604 3048



6

**6 WOMEN'S SPORT FASHION CHRONOGRAPH WATCH** Stainless steel case. White dial with plum-coloured highlights. Trimmed with 12 Swarovski® crystals. Hands with luminous Super-LumiNova® detail. White silicone strap with plum-coloured highlights. Stopwatch function. Water-resistant to 10 ATM. Diameter 39 mm. Ronda 5030 quartz chronograph movement. Swiss movt. B6 695 8444



MEN'S ELEGANT BASIC WATCH page 33, MEN'S SOFTSHELL JACKET page 45, BLACK EDITION SUN GLASSES page 66

**1 MEN'S ELEGANT BASIC WATCH**

Silver/black. Stainless steel case. Black dial with superimposed hour markers and numerals. Silver-coloured luminous hands. Mineral crystal. Black calfskin strap with buckle. Water-resistant to 5 ATM. Diameter 40 mm. Ronda 505 quartz movement. Swiss made. B6 695 3067



1

**2 MEN'S TRUCKER WATCH**

Stainless steel case. Black dial with perforated design based on Actros radiator grille. Fixed bezel with PVD coating. Silver-coloured hands with luminous detail. Silver-coloured/black stainless steel bracelet strap with wedge-shaped links modelled on the Actros radiator grille. Water-resistant to 10 ATM. Diameter 43 mm. Miyota 2315 quartz movement. B6 787 1658



2

**3 MEN'S AUTOMATIC WATCH**

Stainless steel case with matte and polished sections. Black dial with zones set at different heights and a replica of the diamond pattern from the interior of the luxury-segment model series. Hands and hour markers with luminous detail. Convex sapphire crystal with anti-reflective finish. Stainless steel bracelet strap with matte and polished surfaces. Water-resistant to 10 ATM. Diameter 43 mm. Eta 2824-2 automatic movement. Swiss made. B6 695 8436



3



4

**4 MEN'S SPORTIVE YOUNG GMT WATCH**

Stainless steel case with black coating. Black aluminium inlay ring in bezel. Silver-coloured dial with Mercedes star. Silver-coloured luminous hour markers, silver and blue luminous hands. Mineral crystal. Nylon strap with blue stripes. Water-resistant to 10 ATM. Diameter 45 mm. Ronda 515.24H quartz movement. Swiss movt. B6 695 3057

**1 MEN'S CLASSIC AUTOMATIC 500 K WATCH** Stainless steel case with knurled bezel and back. Convex dial featuring elements from the dashboard of the historic 550 K model series and AUTOMATIC lettering. Blued hands. Sapphire crystal. Grey calfskin strap. Water-resistant to 5 ATM. Diameter 42 mm. Eta 2824-2 automatic movement. Swiss made. B6 604 1566



**2 MEN'S CLASSIC CARRÉ WATCH** Stainless steel case. Black dial. Superimposed numerals and hour markers. Hands with luminous detail. Hardened mineral crystal with anti-reflective coating. Black, coarsegrain calfskin strap. Chronograph function. Water-resistant to 5 ATM. Size 40 × 40 mm. Ronda 5030 quartz movement. Swiss made. B6 604 3322



**3 MEN'S CLASSIC STEEL WATCH** Stainless steel case with protruding bezel. Silver-coloured/beige dial with superimposed hour markers and numerals. Luminous silver-coloured hands. Mineral crystal. Brown, crocodile-effect calfskin strap with buckle. Water-resistant to 5 ATM. Diameter 42 mm. Ronda 6004.D quartz movement. Swiss made. B6 604 1924

**4 MEN'S CLASSIC GOLD WATCH** Rose gold/black. Stainless steel case. Black dial with gold-coloured hour markers and gold-coloured hands with luminous detail. Mineral crystal. Black, crocodile-effect calfskin strap with buckle. Water-resistant to 5 ATM. Diameter 42 mm. Ronda 519-2 quartz movement. Swiss made. B6 604 1926



5

**5 MEN'S CLASSIC RALLY CHRONOGRAPH WATCH** Stainless steel case with tachymeter scale on the bezel. Black dial with red and silver-coloured highlights. Hands feature luminous detail. Black calfskin strap with red perforated design. Stopwatch function, date feature and 1/10 second measurement. Water-resistant to 5 ATM. Size approx. 40 × 40 mm. Ronda 8040 quartz chronograph movement. Swiss movt. B6 604 1568



6

**6 MEN'S CLASSIC RETRO GOLD CHRONOGRAPH WATCH** Stainless steel case with rose gold-coloured finish. Silver-coloured dial. Rose gold-coloured hands with luminous detail. Superimposed hour markers. Hardened mineral crystal with anti-reflective coating. Brown, crocodile-effect calfskin strap. Stopwatch function. Water-resistant to 5 ATM. Diameter 42 mm. Ronda 5030 quartz movement. Swiss made. B6 604 3324



7

**7 MEN'S HIGH CLASSIC CHRONOGRAPH WATCH** Stainless steel case. Cream beige dial, engraved with wave pattern. Numerals in original 300 SL typography. Luminous hands, numerals and hour markers. Sapphire crystal with anti-reflective coating. Brown leather strap with stainless steel folding clasp. Water-resistant to 5 ATM. Diameter 45 mm. Ronda 5030. D quartz movement. Swiss made. B6 604 1470

**1 MEN'S BUSINESS CHRONOGRAPH WATCH** Silvercoloured/black. Stainless steel case. Black dial. Superimposed hour markers with luminous dots. Luminous hands. Sapphire crystal. Stainless steel bracelet strap. Water-resistant to 10 ATM. Diameter 43 mm. Ronda 5030 quartz movement. Swiss made. B6 695 2865



1

**2 MEN'S SPORT FASHION CHRONOGRAPH WATCH** Stainless steel case with black PVD coating. Black dial with yellow highlights and white luminous detail. Yellow second hand and other hands with luminous detail. Black silicone strap with yellow highlights. Stopwatch function. Water-resistant to 10 ATM. Diameter 43 mm. Ronda 5030 quartz chronograph movement. Swiss movt. B6 695 8442



2

**3 MEN'S CHRONOGRAPH WATCH** Stainless steel case, with black PVD coating in some areas. Silver-coloured carbon-fibre dial with black highlights. Hour markers and hands with luminous detail. Petronas green second hand. Black calfskin strap with perforated design and green stitching. Stopwatch function. Water-resistant to 10 ATM. Diameter 45 mm. Ronda 5030 quartz chronograph movement. Swiss movt. B6 799 5278



3



4



5

**4 MEN'S MOTORSPORTS CHRONOGRAPH WATCH** Stainless steel case with black coating. Bezel with tachymeter scale. Black carbon-fibre dial with Mercedes star and silver-coloured luminous hands. Sapphire crystal. Stainless steel bracelet strap with folding safety clasp. Stopwatch function. Water-resistant to 10 ATM. Diameter 45 mm. Ronda 5030 quartz chronograph movement. Swiss made. B6 799 5261

**5 MEN'S MOTORSPORT CHRONOGRAPH WATCH GOLD EDITION** Stainless steel case with gold-coloured and black coating. Bezel with tachymeter scale. Black carbon-fibre dial with Mercedes star, gold-coloured luminous hands and luminous hour markers. Mineral crystal. Stainless steel bracelet strap with gold-coloured coating. Stopwatch function. Water-resistant to 10 ATM. Diameter 45 mm. Ronda 5030 quartz chronograph movement. Swiss made. B6 799 5263



**Precision at its most elegant.** Our exclusive watches for men and women are developed by our own designers and inspired by innovative automotive design. To meet the highest of standards, we have our watches manufactured from top-class materials, with movements by Citizen Miyota or Ronda. And we work with renowned manufacturers in Switzerland, Germany and Austria to ensure the ultimate in manufacturing quality.







FASHION

## 12:00 p.m. // Street life

MEN'S JACKET page 40, MEN'S POLO SHIRT page 40, MEN'S BELT page 63



**1+2 MEN'S POLO SHIRT**

100% cotton piqué. Modern fit. By BOSS Green for Mercedes-Benz. Sizes S-XXL.  
light blue/navy B6 695 8389-8393.  
navy/red B6 695 8394-8398

**3 MEN'S POLO SHIRT**

Navy with white contrasts. 100% cotton. Knitted collar. Three-button fastening. Regular fit. Underside of collar with all-over print. Star logo embroidered on front. BOSS logo embroidered below collar on back in navy. By BOSS Green for Mercedes-Benz. Sizes S-XXL. B6 695 8379-8383



All products  
on this page



**4 MEN'S JACKET**

Navy. Outer material 100% polyester. Lining 100% polyamide. Knitted details in collar. High-closing front zip fastening. Various pockets. Horizontal stitching on front. Regular fit. Black, square star logo stud. Metal BOSS logo badge on back of collar. By BOSS Green for Mercedes-Benz. Sizes 48-56. B6 695 8374-8378



**MEN'S POLO SHIRT** page 40, **MEN'S BELT** page 63, **MEN'S CLASSIC RALLY CHRONOGRAPH WATCH** page 35



1+2

**1+2 MEN'S POLO SHIRT**

100% cotton piqué. Modern fit.  
By BOSS Green for Mercedes-Benz.  
Sizes S-XXL.  
black B6 695 8251-8255.  
white B6 695 8256-8260



3

**3 MEN'S POLO SHIRT**

Navy with white contrasts.  
100% cotton. Pattern knitted into  
single-rib collar and cuffs. Three-  
button fastening. Modern fit. Tonal  
star logo embroidered on front.  
BOSS logo embroidered on back  
and on collar. BOSS Green for  
Mercedes-Benz. Sizes S-XXL.  
B6 695 8384-8388



4

**4 MEN'S BASIC T-SHIRT**

White with grey details.  
100% pima cotton. Sizes XS-XXL.  
B6 695 8279-8284  
Black with grey details (not pictured)  
B6 695 8273-8278

**5 MEN'S POLO SHIRT**

Black. 100% cotton piqué. All-over  
print on front and back. Embroidered  
motifs in gloss thread on front and  
on sleeves. Mock layer hem detail in  
Petronas green. Sizes S-XXL.  
B6 799 5162-5166



5

6

**6 MEN'S POLO SHIRT**

Graphite. 100% cotton piqué. All-over  
print on front and back. Embroidered  
motifs in gloss thread on front and  
on sleeves. Mock layer hem detail in  
Petronas green. Sizes S-XXL.  
B6 799 5157-5161



7



8

**7 MEN'S SWEAT JACKET**

Grey with royal blue contrasts. 52% cotton/48% polyester. Zip front fastening with press-stud flap. Two side pockets. Ribbed collar, cuffs and hem. Antique silver-coloured press-studs with Mercedes-Benz lettering. Sizes S-XXL. B6 695 6672-6676

**8 MEN'S POLO SHIRT**

Grey with royal blue contrasts. 52% cotton/48% polyester. Sizes S-XXL. B6 695 6677-6681

**9+10 MEN'S POLO SHIRT**

100% cotton piqué. Sizes S-XXL. black/royal blue B6 695 6697-6701. white/red B6 695 6739-6743



9

10

**11 MEN'S PERFORMANCE POLO SHIRT**

Blue. 50% polyester/50% Coolmax®. Ribbed collar and cuffs. Printed button band with reflective facing. Reflective print on back of left shoulder. Zipped breast pocket. Sizes S-XXL. B6 695 5323-5327

**12 MEN'S T-SHIRT**

Black. 100% cotton. Slim fit. Sizes S-XXL. B6 695 8319-8323



11



12



**MEN'S POLO SHIRT** page 43, **MEN'S SOFTSHELL JACKET** page 45, **BLACK EDITION SUN GLASSES** page 66,  
**MEN'S BUSINESS BAG** page 73

**1 MEN'S SOFTSHELL JACKET**

Black. Outer material 94% polyester/6% elastane. Lining 100% polyester. Water-repellent and windproof. Detachable hood. Zipped side pockets, breast pocket and sleeve pocket. Reflective print. Sizes S-XXL.  
B6 695 4793-4797

**2 MEN'S FLEECE JACKET**

Black with blue contrasts. Outer material front 100% polyester. Outer material back 60% polyester/40% viscose. Anti-pilling finish. Front zip fastening with chin guard. Zipped pockets. Sizes S-XXL.  
B6 695 5195-5199

1

**3 MEN'S JACKET**

Black. 100% polyester. Water-repellent. Chin guard. Width adjustable at lower edge. Loop for earphone cable inside. Various pockets. Sizes S-XXL.  
B6 695 8399-8403<sup>1</sup>

**4 MEN'S CAGOULE**

Black. 100% polyester. Breathable, windproof and water-repellent. Bonded shoulder seams. Various pockets. Hood packs away into collar, jacket packs away into zipped pocket in back. Sizes S-XXL.  
B6 695 8268-8272



3

4

<sup>1</sup> Available from April 2017.

For details of clothing sizes, see pages 142/143.



1

**1 MEN'S TRUCKER ACTIVE SHELL JACKET** Anthracite. Outer material: 90% polyester / 10% wool. Inside: fleece and taffeta lining, 100% polyester. Lining: mesh body. Windproof and waterproof. Ribbed collar, cuffs and lower edge. Zip pockets. Reflective piping. Sizes S-XXXL  
B6 787 1151-1156



2

3

**2 MEN'S DRIVER'S BOMBER JACKET** Anthracite. Outer material: 100% nylon. Lining and wadding: 100% polyester. Various pockets. Underarm ventilation eyelets. Reflective piping on front and back. Sizes S-XXXL.  
B6 787 1145-1150

**3 MEN'S 2-IN-1 JACKET** Anthracite. Outer jacket: windcheater in 100% coated nylon, lining 100% polyester. Various inside and outside pockets. Adjustable hem and cuffs. Inner jacket: fleece jacket in 100% polyester. Jackets can be worn separately. Reflective piping on both jackets. Sizes S-XXXL.  
B6 787 1163-1168





Two-tone “TRUCKER DISTRICT” print.

**4 MEN'S TRUCKER T-SHIRT**

Black. 100% cotton. Sizes S-XXXL.  
B6 787 1157-1162



4

**5 MEN'S DENIM JACKET**

Dark stonewashed blue. 100% cotton.  
Various pockets. Width adjustable at lower edge. Detailed two-tone embroidered motif on back. Mercedes-Benz-branded buttons. Sizes S-XXXL.  
B6 787 1169-1174



5



**1 MEN'S 2-IN-1 CABRIOLET JACKET** Black. Outer material 100% cotton with polyester coating. Taffeta lining and wadding 100% polyester. Wind and water-repellent. Lightly wadded. Gilet and outer jacket can be worn separately. Detachable faux fur collar. Various pockets. Sporty fit. Sizes S-XXL. B6 604 1541-1545<sup>1</sup>

**2 MEN'S RUGBY SHIRT** Navy/off-white. 100% cotton. Single-rib cuffs and hem. Concealed button band. Elbow patches. Woven stripes. Sizes S-XXL. B6 604 1526-1530

<sup>1</sup> Available from April 2017.



3

4

**3+4 MEN'S T-SHIRT**

100% cotton. Single-rib cuffs. Classic 1926 logo printed on front and in nape. Sizes S-XXL.  
off-white B6 604 1546-1550.  
navy B6 604 1551-1555

**5 MEN'S POLO SHIRT**

Navy. Neck tape and inside of collar in off-white. 100% cotton piqué. Sizes S-XXL. B6 604 1535-1539

**6 LADIES' POLOSHIRT CLASSIC**

Black/gold-coloured. 95% cotton/5% elastane. Vintage Mercedes star, trimmed with Swarovski® crystals, on front. Gold-coloured "Mercedes" lettering on right sleeve. Sizes XS-XL. B6 604 1510-1514



5



6





**WOMEN'S JACKET** page 51, **WOMEN'S T-SHIRT** page 51, **SAFFIANO SHOPPER** page 79, **WOMEN'S SUNGLASSES** page 60,  
**WOMEN'S BLACK EDITION WATCH** page 66



### 1 WOMEN'S JACKET

Black with plum-coloured contrasts. Outer material 100% nylon, taffeta lining and wadding 100% polyester. Fashionable quilting. Warm wadding. Detachable hood. Various zipped pockets. Sizes XS-XL. B6 695 8314-8318



### 2 WOMEN'S CAP

Plum. Underside of peak in black. 100% cotton. Trimmed with Swarovski® crystals front and back. Adjustable fit. B6 695 3160

### 3 WOMEN'S T-SHIRT

Plum. 95% cotton/5% elastane. Rolled seams at neck, cuffs and hem. Slim fit. Tonal star logo embroidered on back. Plum-coloured Swarovski® crystals on front, back and sleeves. Sizes XS-XL. B6 695 8309-8313



1 CODELLO

**1 WOMEN'S SCARF**

Black/gold-coloured. 43% silk / 57% modal. Fashionable fringed edges. Versatile wear. Size approx. 140 × 140 cm. B6 695 2926

**2 WOMEN'S CLASSIC SCARF**

Black/dark brown/gold/white. 100% silk with hand-rolled edges. Design incorporates images of the first Mercedes, the first Mercedes logo and the Classic logo. Size approx. 90 × 90 cm. B6 604 3022



4

**3 WOMEN'S CLASSIC CAP**

Black. 100% cotton. Vintage star embroidered on front, trimmed with Swarovski® crystals. Vintage "Mercedes" lettering embroidered on back in gold. Metal clasp for adjusting fit. B6 604 1517



3

**4 SUN VISOR**

White. 100% polyester. Sweat-absorbent, quick-dry design thanks to mesh panels inside. Black logo badge with silver-coloured 3D star at back. Velcro fastening allows size to be adjusted. B6 695 4302

**5 WOMEN'S POLO SHIRT**

White. 100% cotton piqué. All-over print on front and back. Embroidered motifs in gloss thread on front and on sleeves. Mock layer hem detail in Petronas green. Sizes XS-XL. B6 799 5167-5171



5

**6 WOMEN'S HERITAGE CAP**

White with green details. 100% cotton. Check design on underside of peak. Embroidered laurel wreath and rhinestones on upper side of peak. Vintage Mercedes lettering embroidered on back. Adjustable fit. B6 799 5245



6



**MEN'S POLO SHIRT** page 40, **MEN'S CAP** page 54, **MEN'S BLACK EDITION BUSINESS CHRONOGRAPH WATCH** page 66



**1 MEN'S YOUNG CAP**

Grey marl with highlight in blue. Outer material 72% cotton/28% polyester. Lining 100% cotton. Adjustable fit. Metal clasp embossed with star logo. B6 695 2923

**2 MEN'S YOUNG CAP**

Black with highlight in blue. Outer material polyester, lining 100% cotton. Adjustable fit. Metal clasp embossed with star logo. B6 695 2924

**3 MEN'S YOUNG CAP**

White with highlight in red. Outer material 100% polyester. Lining 100% cotton. Adjustable fit. Metal clasp embossed with star logo. B6 695 2925

**4 MEN'S FLAT BRIM CAP**

Black. Underside of brim in silver grey. 80% polyacrylic/20% wool. 6-panel. Adjustable fit. B6 695 3170



**5 MEN'S CAP**

Black with silver grey contrasts. 100% cotton. Matte black metal clasp at back, embossed with star logo. Adjustable fit. B6 695 3150

**6 MEN'S CAP**

Navy with off-white contrasts. 100% cotton. Strap with metal clasp, embossed with star logo, for adjusting fit. B6 604 1540



**7 CAP, GOLF SELECTION**

White with black contrasts. Polyester. Metal clasp embossed with star logo. Sweat-absorbent and quick-dry. Adjustable fit. B6 695 4301

**8 FLAT CAP**

Brown/beige. Polyester. Herringbone pattern. One size. B6 604 1503







9



10



11



12

13

**12 MEN'S KNITTED HAT**

Black. 50% polyacrylic, 50% wool. Warm headband in thin fleece. Half cardigan stitch. Single-rib edging. B6 695 2849

**13 MEN'S SCARF**

Black. 50% polyacrylic, 50% wool. Half cardigan stitch. Single-rib edging. Size approx. 200 x 25 cm. B6 695 2850

**14 KNITTED HAT AND SCARF**

Anthracite, with contrasts in andorite grey. 100% polyester. With handy drawstring bag. B6 787 0898

**15 TRUCKER WINTER HAT**

Anthracite. 100% polyester. Faux fur trim on front and ears. Ear flaps with chin strap. Logo embroidered on back. B6 787 0897



14



15

**9 TRUCKER CAP**

Anthracite. 100% polyester. Mesh panels at back. Metal clasp embossed with star logo. Adjustable fit. B6 787 0975

**10 MEN'S CAP**

Dark stonewashed blue with grey contrasts. Outer material 60% cotton/40% polyester. Lining 65% polyester/35% cotton. Denim badge on back, embroidered with silver grey star logo. Snapback fastener for adjusting fit. B6 787 0985

**11 MEN'S HERITAGE CAP**

Grey with green details. 100% cotton. Check design on underside of peak. Embroidered laurel wreath on upper side of peak. Vintage Mercedes lettering embroidered on back. Adjustable fit. B6 799 5244





ACCESSORIES

## 1:15 p.m. // Brainstorming

LAMY STUDIO BALLPOINT page 58, MEN'S ELEGANT BASIC WATCH page 33,  
LANYBOOK page 119, MUG ELBAITE page 112

**1+2 LAMY STUDIO BALLPOINT**

Stainless steel. Barrel in Mercedes-Benz paintwork colour. Star logo engraved on top of cap. By LAMY for Mercedes-Benz. Made in Germany.  
obsidian black B6 695 3089.  
iridium silver B6 695 3088

1+2



**3-5 LAMY LOGO BALLPOINT**

Plastic/stainless steel. Push-action. Writes in black. Takes LAMY M 16 large-capacity refills. Silver-coloured Mercedes-Benz logo print on barrel. Barrel in Mercedes-Benz paintwork colour. In decorative test tube packaging. By LAMY for Mercedes-Benz. Made in Germany.  
mountain grey B6 695 3652.  
elbaite B6 695 3310.  
diamond white B6 695 3087



3-5

**6 LAMY LOGO BALL POINT**

Stainless steel. Barrel in genuine Mercedes-Benz interior look. Logo engraved on barrel. By LAMY for Mercedes-Benz. Made in Germany. B6 695 3680

**7-9 CLASSIC BALLPOINT**

Metal barrel. Twist-action. Star logo on top of cap.  
black/silver-coloured B6 604 3350.  
red/silver-coloured B6 604 3351.  
silver-coloured B6 604 3352

7-9



Products no. 1-6  
on this page

**LAMY**  
Design. Made in Germany.



6



**WOMEN'S SUNGLASSES** page 60, **MUG** page 112



**1 WOMEN'S SUNGLASSES**

Gold-coloured/black. Acetate frame. Brown graded lenses by Carl Zeiss Vision. 100% UVA/UVB/UV 400 protection. Filter category 2. Adjustable, screw-on nose pads. Made in Italy. B6 695 3077

**2 WOMEN'S CASUAL SUNGLASSES**

Black/plum acetate frame. Metal bridge. Grey/plum graded lenses by Carl Zeiss Vision. UV 400 (100% UVA/UVB protection). Filter category 2. B6 695 3267



**3 VINTAGE STAR SUNGLASSES**

Brown acetate frame. Laurel wreath elements on both earpieces. Grey-green lenses. Optics by Carl Zeiss Vision. UV 400 (100% UVA/UVB protection). Filter category 3. Made in Italy. B6 604 1515



**4 MEN'S BUSINESS SUNGLASSES**

Black, metal aviator frame. Grey-tinted polycarbonate lenses. UV 400 (100% UVA/UVB protection). Filter category 3. By Rodenstock for Mercedes-Benz. Made in Italy. B6 695 2667



4


 RODENSTOCK
**5 MEN'S SUNGLASSES**

Black plastic frame. Orange-tinted driving lenses by Carl Zeiss Vision. UV 400 (100% UVA/UVB protection). Filter category 2. B6 787 0979



5

**6 MEN'S MOTORSPORT SUNGLASSES**

Silver-coloured/anthracite polyamide frame. Mirrored green lenses in polycarbonate. UV 400 (100% UVA/UVB protection). By uvex for Mercedes-Benz. Filter category 3. B6 799 6005



6


 uvex



1

Products no. 1-7  
on this page



2

**1 WOMEN'S SEOUL BRACELET**  
Silver-coloured/black. Stainless steel. Two-part charm. Upper part features openwork pattern based on Mercedes star logo, lower part trimmed with black Swarovski® Crystal Fine Rocks. 3D star logo charm. Made for Mercedes-Benz by Swarovski®. Total length approx. 19 cm. B6 695 3118

**2 WOMEN'S SEOUL NECKLACE**  
Silver-coloured/black. Stainless steel. Two-part charm. Upper part features openwork pattern based on Mercedes star logo, lower part trimmed with black Swarovski® Crystal Fine Rocks. 3D star logo charm. With extension chain. Made for Mercedes-Benz by Swarovski®. Total length approx. 70 cm. B6 695 3119



3



4

**3 WOMEN'S MILANO BRACELET**  
Black. Alcantara® strap. Trimmed with Swarovski® Crystal Fine Rocks. Press-stud fastening featuring openwork star in stainless steel. Made for Mercedes-Benz by Swarovski®. Length approx. 39 cm. B6 695 3268

**5+6 MILANO KEY RING**  
Stainless steel. Alcantara® loop. Finished with Swarovski® Crystal Fine Rocks. Flat split ring with three mini split rings for quick removal/replacement of individual keys. Made for Mercedes-Benz by Swarovski®. Length approx. 9 cm.  
black B6 695 3269.  
red B6 695 3270

**7 GLAMOUR KEY RING**  
Black. Microfibre/glass/stainless steel combination. Trimmed with Swarovski® crystals. Flat split ring with three mini split rings for quick removal/replacement of individual keys. Made for Mercedes-Benz by Swarovski®. Length approx. 9 cm. B6 695 2859

**8 WOMEN'S YOUNG BRACELET**  
Black. Stainless steel/nylon. Openwork stainless steel Mercedes star charm. Length can be adjusted to fit. Length approx. 23 cm. B6 695 3437



5

6



7



8

**4 WOMEN'S GLAMOUR BRACELET**  
Black. Microfibre strap. Trimmed with Swarovski® crystals. Metal elements in stainless steel. Press-stud fastening featuring openwork star in stainless steel. Made for Mercedes-Benz by Swarovski®. Length approx. 38.5 cm. B6 695 2858



**9 VINTAGE STAR PINS, SET OF 6**

Silver-plated brass. In the shape of Mercedes-Benz logos from 1909 to 1989. Diameter of each pin approx. 1.5 cm. B6 604 3065

**10 PIN**

Silver-coloured. Polished stainless steel. Butterfly clasp. Anti-rotation feature on back. B6 695 3080

**11 CLASSIC GEAR KNOB CUFF-LINKS**

Cream beige. Stainless steel/acetate. In form of 300 SL gear knob. Classic pivot mechanism. Diameter approx. 1.5 cm. B6 604 1472

**12 ROTARY PUSHBUTTON CUFF-LINKS**

Silver with black inlay on upper surface. Stainless steel. Knurled sides. Mercedes star on lower part. B6 695 3090



9



10



11



12



13



14



15

**13 MEN'S BELT**

Black. Italian calfskin. Adjustable fit. Length approx. 125 cm, width approx. 3.4 cm. B6 695 3047

**14 BELT**

Black/silver-coloured. Leather/diecast zinc. Belt buckle in the form of the Actros radiator grille with integrated fastening pin at rear. 3D star in radiator grille. Length approx. 130 cm (shortenable). B6 695 3973

**15 MEN'S BELT**

Brown. 100% leather. Shortenable. Length approx. 125 cm. B6 695 4117





**BLACK EDITION**

## 1:45 p.m. // Checkout

**BLACK EDITION SUN GLASSES** page 66, **MEN'S SOFTSHELL JACKET**  
page 45, **MEN'S BUSINESS BAG** page 73



1

**1 MEN'S BLACK EDITION BUSINESS CHRONOGRAPH WATCH**

Stainless steel case with black PVD coating. Black dial with blue highlights. Stainless steel hands with luminous detail. Stainless steel bracelet strap with black PVD coating. Stop-watch function. Water-resistant to 10 ATM. Diameter 43 mm. Ronda 5021 quartz chronograph movement. Swiss made. B6 695 8438

**2 WOMEN'S BLACK EDITION WATCH**

Stainless steel case with black PVD coating. Black dial, trimmed with 48 white Swarovski® crystals. Blue second hand. Stainless steel bracelet strap with black PVD coating. Date feature. Water-resistant to 10 ATM. Diameter 36 mm. Ronda 785 quartz movement. Swiss movt. B6 695 8440

**3 BLACK EDITION SUN GLASSES**

With black frame made of beta titanium. Grey graded lenses by Carl Zeiss Vision with anti-reflective coating on inside. 100% UV-A/B 400 protection. Filter category 2. Mercedes star laser-engraved on left arm. Made in Germany. B6 695 3120



2



3



4



5



**4 WOMEN'S BLACK EDITION BRACELET** Black/blue. Alcantara® strap. Trimmed with Swarovski® Crystal Fine Rocks. Press-stud fastening featuring openwork star in black PVD-coated stainless steel. Made for Mercedes-Benz by Swarovski®. Length approx. 39 cm. B6 695 3279<sup>1</sup>

**5 ST. TROPEZ BLACK EDITION KEY RING** Black. Stainless steel. PVD-coated. Swarovski® Crystal Fine Rocks embellishment. Snap hook ring. Length approx. 9 cm. B6 695 3288<sup>1</sup>



6



**6 USB STICK**

Black. Finished with Swarovski® Crystal Fine Rocks. 16 GB. Compatible with all standard operating systems. Size approx. 60 × 20 × 10 mm. B6 695 3130

**7 LAS VEGAS BLACK EDITION**

**KEY RING** Black/blue. Stainless steel. PVD-coated. Luminous finish in the inner contours. Flat split ring with three mini split rings for quick removal/replacement of individual keys. Length approx. 7 cm. B6 695 3280<sup>1</sup>



7

<sup>1</sup> Available from April 2017.





TRAVEL

## 2:00 p.m. // Business trip

CAPE TOWN KEY RING page 92, FIRELITE SPINNER 69 SUITCASE  
page 70, BUSINESS HANDBAG page 79, WOMEN'S SCARF page 52,  
WOMEN'S SUNGLASSES page 60

**1-3 FIRELITE SPINNER 55 SUITCASE** Highly impact-resistant material (Curv®). Practical organisation features inside with elasticated packing straps in lower compartment and divider in upper compartment. Smooth, silent wheels. Three-digit TSA lock. Suitable for use as cabin luggage<sup>1</sup>. By Samsonite for Mercedes-Benz. Size approx. 40 × 55 × 20 cm. Weight approx. 2.0 kg. Capacity approx. 35 l.  
diamond white B6 695 3138.  
south seas blue B6 695 2177.  
charcoal B6 695 1616

**FIRELITE SPINNER 69 SUITCASE** (not pictured) Size approx. 47 × 69 × 29 cm. Weight approx. 2.65 kg. Capacity approx. 77 l.  
diamond white B6 695 3139.  
south seas blue B6 695 2178.  
charcoal B6 695 1617

**FIRELITE SPINNER 75 SUITCASE** (not pictured) Highly impact-resistant material (Curv®). Practical organisation features inside with elasticated packing straps in lower compartment and divider in upper compartment. Smooth, silent wheels. Three-digit TSA lock. By Samsonite for Mercedes-Benz. Size approx. 52 × 75 × 31 cm. Capacity approx. 93 l. Weight approx. 2,9 kg.  
diamond white B6 695 3140.  
south seas blue B6 695 3147.  
charcoal B6 695 3137



1-3

All products  
on this page

**Samsonite**  
BY YOUR SIDE

**4 X'BLADE SPINNER 63 SUITCASE** Black. 98% polyester/2% polyurethane. Large main compartment with packing straps. Additional compartment in lid and small wet compartment. Two outer compartments. Multi-pocket TSA lock. With shoe bag/laundry bag. Not suitable as cabin luggage. By Samsonite for Mercedes-Benz. Size approx. 41.5 × 63 × 27/31 cm. Capacity approx. 63/69 l. Weight approx. 2.9 kg. B6 695 8456

**X'BLADE SPINNER 78 SUITCASE** (not pictured) Black. 98% polyester/2% polyurethane. Functional features inside, with packing straps in large main compartment. Additional compartment in lid, small wet pocket, two outside compartments incl. suit bag, shoe bag and laundry bag. Multi-pocket TSA lock. By Samsonite for Mercedes-Benz. Size approx. 48 × 78 × 32/37 cm. Capacity approx. 112.5/121 l. Weight approx. 4.0 kg. B6 695 8457

**5 X'BLADE UPRIGHT 55 SUITCASE** Black. 98% polyester/2% polyurethane. Functional features inside, with packing straps in large main compartment and in additional compartment in lid. Small wet pocket, two zipped outside compartments incl. suit bag, shoe bag and laundry bag. Multi-pocket TSA lock. Cabin-ready dimensions<sup>1</sup>. By Samsonite for Mercedes-Benz. Size approx. 40 × 55 × 20 cm. Capacity approx. 44 l. Weight approx. 2.5 kg. B6 695 8455



4

5



**6 X'BLADE PILOT SUITCASE**

Black. 98% polyester/2% polyurethane. Large main compartment with compartment for laptop up to approx. 43.9 cm (17.3 inches). Tablet compartment. Compartment for clothing and documents. Zipped outer pocket. Suitable as cabin luggage<sup>1</sup>. By Samsonite for Mercedes-Benz. Size approx. 48 × 40 × 22 cm. Capacity approx. 32 l. Weight approx. 3 kg. B6 695 8458

**7 X'BLADE LAPTOP BAG**

Black. 98% polyester/2% polyurethane. Large main compartment with laptop compartment for laptops up to approx. 40.6 cm (16 inches). Expandable front compartment and practical outer compartment. Two carry handles. Detachable shoulder strap. Smart Sleeve to slip over towbar of suitcase. By Samsonite for Mercedes-Benz. Size approx. 44 × 32 × 14/17 cm. Weight approx. 1.3 kg. B6 695 8462

All products  
on this page

**Samsonite**  
BY YOUR SIDE

**8 BEAUTY CASE**

Black. 98% polyester/2% polyurethane. Main compartment with various pockets inside. Smart Sleeve to slip over towbar of suitcase. Detachable shoulder strap. By Samsonite for Mercedes-Benz. Size approx. 33 × 30 × 19 cm. Weight approx. 0.5 kg. Capacity approx. 16.5 l. B6 695 8460



8

**9 TOILET CASE**

Black. 98% polyester/2% polyurethane. Main compartment with various pockets inside. Small, zipped outer compartment and hook for hanging. By Samsonite for Mercedes-Benz. Size approx. 25 × 24 × 10 cm. Weight approx. 0.3 kg. Capacity approx. 6 l. B6 695 8461



9

<sup>1</sup> Will not apply for all airlines. Please check the individual airline's hand luggage restrictions.



1



2

**1 MEN'S BUSINESS CREDIT CARD WALLET** Black. Italian calfskin. Space for at least 6 cards. Size approx. 10 × 7.5 × 0.6 cm. B6 695 1619

**2 BUSINESS KEY CASE** Black. Italian calfskin. Two leather straps with one large and one small split ring. With zipped compartment for coins on back. Made in Europe. Size approx. 11 × 7 × 2 cm. B6 695 2883



3

**3 MEN'S CREDIT CARD WALLET** Black. Italian calfskin. For at least 10 credit cards. 2 additional note sections. Size approx. 11 × 12 × 0.5 cm. B6 695 1349



4

**4 CREDIT CARD WALLET** Black. Italian calfskin. Various card slots. Stainless steel money clip. Size approx. 11 × 9 × 1 cm. B6 695 3290

**5 COVER FOR iPhone® 7** Black. Italian calfskin. 4 card slots. Size approx. 7.5 × 14.5 × 2 cm. B6 695 3289



5



6

**6 BUSINESS WALLET**

Black. Italian calfskin. Practical partitioning inside, with various compartments. Space for at least 8 credit cards. Size approx. 12.5 × 10 × 2 cm. B6 695 5145



7

**7 BUSINESS CARD WALLET**

Black. Italian calfskin. Various compartments inside, plus pocket on back. Suitable for bank cards, credit cards, business cards or loyalty cards up to 90 × 60 mm. Size approx. 11 × 7.5 × 1.5 cm. B6 695 2884

BREE



8

**8 MEN'S BUSINESS BAG**

Black. Leather/nylon. Two large main compartments, various inner and side compartments. Detachable, adjustable shoulder strap. Strap at back for slotting over towbar of trolley suitcase. By BREE for Mercedes-Benz. B6 695 2885



**1 MEN'S BASIC WALLET**  
Black. Grained leather. Various compartments inside. Size approx. 10×12×2 cm. B6 695 1351



**2 MEN'S BASIC CREDIT CARD WALLET** Black. Grained leather. Various compartments inside. Size approx. 12×8.5×2 cm. B6 695 1353



**3 BASIC MINI WALLET**  
Black. Grained leather. Note, coin and card compartments. Size approx. 9.5×6.5 cm. B6 695 2686



4



5

6

**4 CASE FOR iPhone® 7**

Black. Plastic case with leather covering. Size approx. 6.5 × 13.5 × 1.0 cm. B6 695 4094

**5+6 CASE FOR iPhone® 7/6S**

Plastic case. Silver-coloured 3D star. Size approx. 6.5 × 13.5 × 1.0 cm. black B6 695 3239<sup>1</sup>. white B6 695 3240<sup>1</sup>



7



8

**8 TRUCKER MESSENGER BAG**

Dark stonewashed colour. 100% cotton. Large main compartment and various inner compartments. Adjustable shoulder strap. Size approx. 42 × 33 × 10 cm. B6 787 1661

**9 SHOPPING BAG**

Grey. 100% polyester felt. Carry handles in seat belt material. Zipped inner pocket with snap hook. Size approx. 26 × 40 × 14 cm. B6 695 2989



9

**10 CLASSIC SHOPPER**

Brown. 100% polyester. Grosgrain carry handles. Large main compartment and small zipped pocket inside. Size approx. 54 × 38.5 × 11 cm. B6 604 1531



10

<sup>1</sup> Available from June 2017.



1

**1 CLASSIC WALLET**

Brown. Leather. Viscose lining. Practical partitioning with various compartments inside. Size approx. 12 × 9.5 × 1.5 cm. B6 604 3066



2

3

**2 CLASSIC WEEKEND BAG**

Brown. Leather and cotton/viscose blend. Large main compartment, small zipped compartment. Sturdy carry handles. Detachable shoulder strap. Size approx. 50 × 28 × 28 cm. B6 604 3052

**3 MEN'S BUSINESS BAG**

Brown. Leather. Viscose lining. Large main compartment, laptop compartment and various inner compartments. Sleeve on back to slip over towbar of trolley suitcase. Adjustable, detachable cross-body strap. Size approx. 40 × 34 × 10 cm. B6 604 3051

**4 BUSINESS SMARTPHONE COVER**

Brown. Outer material leather, inner material viscose. Closing tab with magnet. Suitable for iPhone® 7. Size approx. 8 × 14 × 0.5 cm. B6 604 5015

**5 RUCKSACK**

Brown. Canvas with leather details. Large main compartment with cord. Two inner compartments in the form of a laptop compartment and a small zipped compartment. Drinks holder on the side with fastener. Padded shoulder straps. Padded back panel. Strap for hanging up. Classic logo on leather application with embossed 1926 logo. Size approx. 44 × 28 × 13 cm. B6 604 5014<sup>1</sup>



4



5



**RUCKSACK** page 76, **CLASSIC WEEKEND BAG** page 76, **CLASSIC THERMOS FLASK** page 111, **MEN'S CLASSIC AUTOMATIC 500 K**  
**WATCH** page 34, **MEN'S 2-IN-1 CABRIOLET JACKET** page 48, **VINTAGE STAR SUNGLASSES** page 60



**A bag for life.** The northern German family firm BREE has been manufacturing timeless and attractive leather goods for the past 45 years. Like Mercedes-Benz, the company believes in uncompromising quality standards, pure design and precision craftsmanship. Each of its stylish bags represents an intelligent response to the needs of today's men and women, whether for business or personal use. Simple understatement for fans of highly functional elegance.

**SAFFIANO SHOPPER** page 79

**BREE**



**1 SAFFIANO SHOPPER**

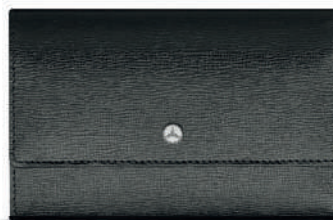
Black with silver-coloured details. Saffiano-look leather. Magnetic fastener. Zipped compartment inside. Loop with snap hook for keys. By BREE for Mercedes-Benz. Size approx. 38 × 30 × 15 cm. B6 695 2893

**2 BLACK SAFFIANO WALLET**

With silver-coloured contrasts. Saffiano-look leather. Various compartments for notes, coins and cards. Two press-studs for fastening. By BREE for Mercedes-Benz. Size approx. 15 × 10 × 1.8 cm. B6 695 2894



1



2



All products  
on this page

**BREE**

**3 BUSINESS CLUTCH BAG**

Black. Leather. Various compartments inside. Gold-coloured zip. Detachable shoulder strap and wrist loop. By BREE for Mercedes-Benz. Size approx. 31 × 21 × 3 cm. B6 695 2916

**4 BUSINESS HANDBAG**

Black with various gold-coloured details. Leather. With laptop compartment (max. 15 inches) and various other compartments inside and out. Adjustable shoulder strap. By BREE for Mercedes-Benz. Size approx. 41 × 29 × 12 cm. B6 695 2914



3

4

**5 WOMEN'S WALLET**

Black. Leather. Various compartments for notes, coins and cards. Gold-coloured zip. By BREE for Mercedes-Benz. Size approx. 19 × 10 × 2 cm. B6 695 2915



5





**WOMEN'S HANDBAG** page 81, **WOMEN'S BLACK EDITION BRACELET** page 67

BREE



1

2

**1 WOMEN'S HANDBAG**

Plum. Nylon, handles in imitation leather. Adjustable, detachable shoulder strap. Various zipped compartments. Pocket with 2 pen loops. Mobile phone compartment. By BREE for Mercedes-Benz. Size approx. 46 × 30 × 18 cm. B6 695 3492

**2 QUILTED RUCKSACK**

Plum. Nylon. Zipped outside pocket. Size approx. 35 × 44 × 1 cm. B6 695 4009<sup>1</sup>

3

**3 CASUAL WALLET**

Plum. Outer material nylon, imitation leather inner lining. Various compartments for notes, coins and cards. By BREE for Mercedes-Benz. Size approx. 19.5 × 10 × 1 cm. B6 695 3493

**4 NAIL POLISH**

Plum. By LCN for Mercedes-Benz. Made in Luxembourg. Contents approx. 8 ml. B6 695 3300<sup>2</sup>



4

BREE

<sup>1</sup> Available from April 2017.

<sup>2</sup> Available from May 2017.

All products  
on this page



### 1 SPORTS BAG/HOLDALL

Black/grey with blue contrast. Polyester. Roomy main compartment, various inner and side compartments. Padded, detachable and adjustable shoulder strap. Padded carry handles. By Deuter for Mercedes-Benz. Size approx. 62 × 30 × 30 cm. Capacity approx. 50 l. B6 695 8081

### 2 RUCKSACK

Black/grey with blue contrast. 100% polyester. Large, zipped main compartment. Various inside and side compartments. Padded shoulder straps. Carry handle. By Deuter for Mercedes-Benz. Size approx. 30 × 46 × 19 cm. Capacity approx. 22 l. B6 695 8080

### 3 CROSS-BODY BAG

Black/grey with blue contrast. 100% polyester. Large main compartment, various inner and side compartments incl. padded tablet compartment with Velcro fastening. Adjustable shoulder strap. White embroidered Mercedes-Benz logo. By Deuter for Mercedes-Benz. Size approx. 24 × 31 × 10 cm. Capacity approx. 5 l. B6 695 8079



### 4 SKI BOOT BAG

Black/grey with blue contrast. 100% polyester. Ventilated boot compartment. Separate helmet compartment. Additional outer compartment. Carry handle. Padded, detachable and adjustable shoulder strap. By Deuter for Mercedes-Benz. Size approx. 45 × 42 × 24 cm. B6 695 8082

### 5 SLEEPING BAG

Anthracite with blue highlights. 100% nylon. Polyester filling. All-round zip fastening. Can be used as sleeping bag liner. Suitable for temperature range -3 °C to +13 °C. Height up to 185 cm. By Deuter for Mercedes-Benz. Size approx. 205 × 75 × 48 cm. B6 695 8083





**To define the spirit of the times, you have to take the lead.** Like Mercedes-Benz, rucksack manufacturer Deuter is a pioneer in its field. Since their founding, both companies have continued to set new standards when it comes to innovative technology, intelligent functions and unmistakable design. High-quality materials and meticulous craftsmanship are other factors the two companies have in common. Making Deuter the perfect partner for the Collection.



The handle of the umbrella is a faithful replica of the gear knob in the 300 SL.

### 1 300 SL GUEST UMBRELLA

Brown. 100% polyester canopy with water and dirt-repellent coating. Steel shaft, fibreglass ribs. "Windproof" design. Diameter when open approx. 130 cm. B6 604 3226

### 2 300 SL COMPACT UMBRELLA

Brown. Chromed steel shaft. 100% polyester canopy with special water and dirt-repellent coating. Fibreglass/metal ribs. Opened manually. "Windproof" design. Handle designed to resemble 300 SL gear knob. Diameter when open approx. 97 cm. B6 604 1533

### 3 GOLF UMBRELLA

Black. Water and dirt-repellent canopy with UV protection. Shaft and ribs in fibreglass. Totally metal-free. "Windproof" design. Diameter when open approx. 130 cm. B6 695 2633



1



2



3

**4 UMBRELLA**

Black. Water and dirt-repellent canopy. Aluminium shaft. "Windproof" design. Automatic opening. Diameter when open approx. 105 cm. B6 695 2629

**5 GUEST UMBRELLA**

Black. Water and dirt-repellent canopy. Aluminium shaft. "Windproof" design. Automatic opening. Diameter when open approx. 130 cm. B6 695 2630

**6 COMPACT UMBRELLA**

Black. Water and dirt-repellent canopy. Chromed steel shaft. "Windproof" design. Automatic opening and closing. Length approx. 30 cm. Diameter when open approx. 97 cm. B6 695 2631









KEY RINGS

## 4:30 p.m. // Coming home

**WOMEN'S CLASSIC KEY RING** page 93,  
**BUSINESS HANDBAG** page 79, **WOMEN'S WATCH** page 30



1



2



3

**1 LOS ANGELES KEY RING**  
 Silver-coloured/black. Stainless steel. Flat split ring with three additional mini split rings for quick removal/ replacement of individual keys. Length approx. 9 cm. Made in Germany. B6 695 5005

**2 LAS VEGAS KEY RING**  
 Silver-coloured/black. Stainless steel. Luminous finish in the inner contours. Flat split ring with three mini split rings for quick removal/ replacement of individual keys. Length approx. 9 cm. B6 695 8326

**3 BRUSSELS KEY RING**  
 Silver-coloured. Diecast zinc with high-sheen polished finish. Revolvable Mercedes star. Split ring with three mini split rings for quick removal/ replacement of individual keys. Length approx. 9 cm. B6 695 7516

**4 SEATTLE KEY RING**  
 Stainless steel with black leather loop. Twist-and-pull ring with three mini split rings for quick removal/ replacement of individual keys. Length approx. 10.3 cm. B6 695 2636

**5 HELSINKI KEY RING**  
 Silver-coloured/black. Stainless steel. 3D star logo on front. Blank space on back for engraving. Flat split ring with three mini split rings for quick removal/ replacement of individual keys. Length approx. 8 cm. B6 695 0246

**6+7 ATLANTA KEY RING**  
 Stainless steel/acetate. Design based on the Mercedes-Benz radiator grille. Flat split ring with three mini split rings for quick removal/ replacement of individual keys. Length approx. 9 cm. Silver-coloured/black B6 695 3308. Silver-coloured/black/plum B6 695 3309



4



5



6+7

**8-11 KEY COVER**

Leather/stainless steel. Magnetic fastener. Flat split ring with three additional mini split rings so you can quickly change/remove individual keys.

Dimensions ca. 41 × 83 × 21 mm.

black B6 695 8404.

white B6 695 8405.

red B6 695 8406.

carbon-fibre look B6 695 8407



8-11

**12+13 KEY SLEEVE**

Leather. Aperture for Mercedes star. Embossed Mercedes-Benz lettering.

Size approx. 4.6 × 8 × 1.9 cm.

black B6 695 8412.

white B6 695 8413



12+13



14-17

**14-17 KEY COVER**

Leather combined with stainless steel elements. Magnetic fastener. Flat split ring with three additional mini split rings so you can quickly change/remove individual keys.

Dimensions ca. 46 × 84 × 23 mm.

black B6 695 8408.

white B6 695 8409.

red B6 695 8410.

carbon B6 695 8411



18-21

**18-21 SHANGHAI KEY RING**

Stainless steel/leather. Snap hook with three mini split rings for quick removal/replacement of individual keys. Size approx. 3.5 × 8.0 cm.

black B6 695 8137.

diamond white B6 695 8138.

fire opal B6 695 8139.

carbon B6 695 8324

**1-3 KEY RING**

Silver-coloured/black. Stainless steel. Flat split ring with three mini split rings for quick removal/replacement of individual keys. Front features replica of lettering found on rear of vehicle, back features 3D star logo. Designed in Germany. Length approx. 9 cm.

"A" (not pictured) B6 695 8414

"B" (not pictured) B6 695 8415

"C" B6 695 8416

"E" B6 695 8417

"G" (not pictured) B6 695 8418

"S" (not pictured) B6 695 8419

"V" (not pictured) B6 695 8420

"SL" (not pictured) B6 695 8421

"CLA" (not pictured) B6 695 8422

"CLS" (not pictured) B6 695 8423

"GLA" (not pictured) B6 695 8424

"GLC" (not pictured) B6 695 8425

"GLE" B6 695 8426

"GLS" (not pictured) B6 695 8427

"SLC" (not pictured) B6 695 8428

1-3



4

**4 MODEL SERIES KEY RING**

Black faux leather combined with stainless steel elements. Scale replica of lettering on vehicle. Flat split ring with three mini split rings for quick removal/replacement of individual keys. Length approx. 10 cm.

"ACTROS" B6 787 2211

**5 MERCEDES-BENZ TRUCKS KEY RING**

Silver-coloured. Die-cast zinc. Flat split ring with three mini split rings for quick removal/replacement of individual keys. Tank tread links. Mock grooved sheet metal on the back. Length approx. 9.5 cm. B6 787 1176



5



6

**6 ACTROS TRUCKS KEY RING**

Silver-coloured. Die-cast zinc. Replica of the ACTROS radiator grille. Snap hook with three mini split rings for quick removal/replacement of individual keys. Length approx. 5.5 cm. B6 787 1175



**Our quest for perfection has a long tradition.** Particularly when it comes to design. Design created at Mercedes-Benz is made to last. Take, for example, the iconic lettering on the rear of the vehicle. It was designed according to the Mercedes-Benz idiom – and makes the ultimate accessory for your car key.

**KEY RING “C”** page 90, **WOMEN'S MILANO BRACELET** page 62, **NAIL POLISH PLUM** page 81



1-3



**1-3 SAINT-TROPEZ KEY RING**  
 In stainless steel. Background finished with Swarovski® Crystal Fine Rocks. Flat split ring with three mini split rings for quick removal/replacement of individual keys. Length approx. 9 cm.  
 silver-coloured/black B6 695 2740.  
 silver-coloured/white B6 695 9998.  
 silver-coloured/red B6 695 9999

**4+5 MUMBAI KEY RING**  
 Stainless steel/nylon. With three mini split rings for quick removal/replacement of individual keys. Ingenious fastener. Length approx. 7 cm.  
 black/blue/silver-coloured B6 695 6755.  
 black/plum/silver-coloured B6 695 6756



4+5

**6 CAPE TOWN KEY RING**  
 Black/silver-coloured. Stainless steel. Snap hook with three mini split rings for quick removal/replacement of individual keys. Design based on the Mercedes-Benz radiator grille. Length approx. 5.5 cm. B6 695 6711

**7 UNTERTÜRKHEIM KEY RING**  
 Black/silver-coloured. Stainless steel. Flat split ring with three mini split rings for quick removal/replacement of individual keys. Made in Germany. Length approx. 7 cm. B6 695 3307

**8 ST. MORITZ KEY RING**  
 Silver metallic. Stainless steel/leather. Snap hook and flat split ring with three mini split rings for quick removal/replacement of individual keys. Length approx. 15 cm. B6 695 4090



6

7



8



9



10



11

**9 STUTTGART KEY RING**

Silver-coloured. Stainless steel. Flat split ring with three mini split rings for quick removal/replacement of individual keys. Made in Germany. Length approx. 9 cm. B6 604 1524

**10 SINDELFINGEN KEY RING**

Gold-plated brass. Flat split ring with three mini split rings for quick removal/replacement of individual keys. Made in Germany. Length approx. 9 cm. B6 604 1523

**11 WOMEN'S CLASSIC KEY RING**

Yellow gold-coloured/blue. Stainless steel. Flat split ring with three mini split rings for quick removal/replacement of individual keys. Length approx. 11 cm. B6 604 1518

**12 CLASSIC STAR KEY RING**

Brown/blue/silver-coloured. Leather/stainless steel combination. Flat split ring with three mini split rings for quick removal/replacement of individual keys. Length approx. 8.5 cm. B6 604 1522

**13 722 KEY RING**

Silver-coloured/red/basalt grey. Stainless steel. Snap hook fastening. Three mini split rings for quick removal/replacement of individual keys. Length approx. 11.5 cm. B6 799 5188

**14 CLASSIC GEAR KNOB KEY RING**

Beige/silver-coloured. Stainless steel/plastic combination. Flat split ring with three mini split rings for quick removal/replacement of individual keys. Length approx. 8.5 cm. B6 604 1519



12



13



14







GIFT IDEAS

## 5:45 p.m. // Car wash

MERCEDES-BENZ "AMG LINE" GO-KART page 100, CHILDREN'S SWEAT JACKET page 104, CHILDREN'S T-SHIRT page 104, MEN'S TRUCKER ACTIVE SHELL JACKET page 46





1+2

**1+2 SOOTHER**

Plastic/silicone. Orthodontic silicone teat. With grab ring. Protective cap and storage box. Made in Germany. Size 1 (from 0 months).  
green B6 695 3249<sup>1</sup>.  
purple B6 695 3250<sup>1</sup>

**3 CLASSIC CUDDLY BEAR**

Beige. Polyester plush. By NICI for Mercedes-Benz. Size approx. 35 cm. B6 604 1559

**4 MERCEDES-BENZ VUDDI**

Beige. Polyester plush. Mercedes V-Class mascot. By NICI for Mercedes-Benz. Size approx. 42 cm. B6 695 3817<sup>1</sup>

**5 CARL CHILDREN'S BLANKET WITH CUSHION FUNCTION**

Beige. Polyester plush. Folds away for use as a cushion. Blanket can be stored in the cushion part. Size of blanket approx. 100 × 120 cm. Size of cushion approx. 38 × 30 × 12 cm. B6 695 3260<sup>2</sup>

**6 CARL COMFORT BLANKET**

Beige. Polyester plush. Size approx. 30 × 33 × 7 cm. B6 695 3259<sup>2</sup>

**7 CARL KEY RING**

Beige. Polyester plush. Flat split ring. Stitched-on woven label featuring Mercedes star. Size approx. 12 × 6 × 4 cm. B6 695 3238<sup>2</sup>

NICI 

3



4



5



6



7

<sup>1</sup> Available from April 2017.

<sup>2</sup> Available from May 2017.



1

**1 WOODEN G-CLASS**

Red/black. Beech wood. Pull-along cord. Food-safe paint. EN 71-compliant. Size approx. 15 × 7 × 8 cm. B6 695 3247<sup>1</sup>

**2 PLUSH SLIPPERS**

Red. Polyester plush. G-Class design. Anti-slip soles. Embroidered radiator grille and headlamp details. Woven Mercedes star label. Shoe size 28–33 B6 695 3257<sup>1</sup>. Shoe size 34–39 B6 695 3258<sup>1</sup>



2



3

**3 G-CLASS MONEY BOX**

Red/black. Ceramic. In the shape of a G-Class. Slot in car roof for inserting money. Circular opening with silicone plug in underside of vehicle. Size approx. 15 × 7 × 8 cm. B6 695 3248<sup>1</sup>

**4 REVERSIBLE BEAR/G-CLASS**

Beige/red. Polyester plush. Zip on back of bear/underbody of car for switching between bear and G-Class. Size approx. 35 cm. B6 695 2860



4

REVERSIBLE BEAR



#### 5 MERCEDES-AMG GT S ELECTRIC

**CAR** In solarbeam. With LED and sound. Can be controlled via an app. Maximum speed approx. 4-5 km/h. Age 3+. By INJUSA for Mercedes-Benz. Weight approx. 14.3 kg. B6 696 3807



#### 6 MERCEDES-AMG GT ELECTRIC

**CAR** In polar white. Maximum speed approx. 4-5 km/h. Age 3+. By INJUSA for Mercedes-Benz. Weight approx. 13.6 kg. B6 696 3808



#### 7 RIDE-ON MERCEDES-AMG GT S

With LED light function. Age 18 months+. Manufacturer: BIG. AMG Solarbeam B6 696 2000



#### 8 RIDE-ON BOBBY-AMG GT

Age 18 months+. Manufacturer: BIG. silver B6 696 1999



**1 MERCEDES-BENZ "AMG LINE" GO-KART.** In designo hyacinth red metallic. Metal/plastic. AMG Line accents on body, steering wheel and seat. Steering wheel with sound module. Adjustable seat position. B6 696 1260

1



3



2



4

**2-4 BALANCE BIKE**  
 Aluminium frame. 12-inch Schwalbe "BIG APPLE" tyres. Safety grips. Adjustable saddle height (approx. 41-47 cm). For children approx. 85 cm tall and over. Age 2+. Weight approx. 3.7 kg. green B6 645 0080<sup>1</sup>. purple B6 645 0081<sup>1</sup>. white B6 645 0127<sup>1</sup>



5



6



7

### 5-7 CHILDREN'S BIKE

16-inch wheels with Schwalbe "BIG APPLE" tyres. Backpedal brake at rear. Rim brake at front. Single speed. Robust metal mudguards. Soft handlebar grips and front stem with impact protection. Kickstand. Adjustable seat height (approx. 50-59 cm). Suitable for height from around 105 cm, age 4+. Weight approx. 9.5 kg.  
 south seas blue B6 645 0065.  
 white B6 645 0066.  
 pink B6 645 0067

### 8 CHILDREN'S CYCLE HELMET

Black. Multi-stage comfort closure. Robust, impact-resistant in-mould construction. Removable padding. Anti-insect mesh. With safety LED and three coloured, interchangeable cross visors. EN DIN 1078/TÜV GS certified. Made in Germany. Size approx. 50-55 cm. By uvex for Mercedes-Benz. B6 645 0076



8



uvex



9

### 9 STABILISERS

Black. Steel/plastic. Easy to fit to 16-inch Mercedes-Benz children's bikes (B6 645 0065-67). Weight approx. 0.85 kg. B6 645 0075

**1-3 CHILDREN'S BIKE**

Aluminium frame. 20-inch Schwalbe "BIG APPLE" tyres. Shimano 7-speed derailleur. V-brakes. Robust metal mudguards. Aluminium kickstand. Adjustable saddle height (approx. 60-73 cm). Age 6+, or from approx. 120 cm tall. Weight approx. 12.5 kg. Frame height 28 cm.  
white B6 645 0083<sup>1</sup>.  
purple B6 645 0084<sup>1</sup>.  
green B6 645 0082<sup>1</sup>







**CHILDREN'S CAP** page 104, **KINDERGARTEN RUCKSACK** page 105, **BOYS' WATCH** page 105, **CHILDREN'S WALLET** page 105



1

**1 CHILDREN'S SWEAT JACKET**  
 Green with yellow and grey marl contrasts. 65% cotton/35% polyester. Side pockets. Embroidered/appliquéd "SINCE" and used-look "86" print on back. Sizes 116/122-152/158. B6 695 3197-3200

**2 GIRLS' T-SHIRT**  
 Purple with green and grey contrasts. 100% cotton. Crew neck. Short sleeves. Silver grey star logo embroidered on left sleeve. Sizes 116/122-152/158. B6 695 3177-3180

**3 CHILDREN'S T-SHIRT**  
 Green with yellow and grey contrasts. 100% cotton. Silver grey star logo embroidered on left sleeve. Sizes 116/122-152/158. B6 695 3187-3190



**4 CHILDREN'S FLAT BRIM CAP**  
 Green with yellow and grey contrasts. 100% cotton. Silver grey star logo embroidered on back, used-look "SINCE" and "86" print on front. Snapback fastener for adjusting fit. B6 695 3158



3  
4

**5+6 CHILDREN'S CAP**  
 Green. Underside of peak in grey marl. 100% cotton. Used-look "SINCE" and "86" print on side. Antique silver-look clasp, embossed with star logo. Adjustable fit. green B6 695 3157. purple B6 695 3159



5+6

**7 CHILDREN'S UMBRELLA**  
 Green/yellow. Polyester canopy. Foam rubber handle. Large "86" logo. Silver-coloured Mercedes star. Diameter when open approx. 75 cm. B6 695 3298<sup>1</sup>



7

<sup>1</sup> Available from May 2017.



8

9



10

11



**8 BOYS' WATCH**

Stainless steel case. Green-yellow face. Hands in green and yellow. Green-yellow nylon strap with "86" print. Water-resistant to 5 ATM. Diameter 30 mm. Miyota 2035 quartz movement. B6 695 8446

**9 GIRLS' WATCH**

Stainless steel case. Dial with purple and yellow zones. Trimmed with 12 white Swarovski® crystals. Purple/yellow nylon strap with number "86". Water-resistant to 5 ATM. Diameter 30 mm. Miyota 2035 quartz movement. B6 695 8448

**10+11 CHILDREN'S WALLET**

100% polyester. Various card, banknote and coin compartments. Compartment with window for ID card. Main compartment with Velcro fastening. By Deuter for Mercedes-Benz. Size approx. 14 × 9.5 × 1.5 cm. purple lemon B6 695 8429. spring lemon B6 695 8430



12

13



**14 KINDERGARTEN RUCKSACK**

Spring lemon. 100% polyester. Soft, padded back section. Soft-edged, S-shaped shoulder straps. Chest strap. Mesh outside pocket. Name label inside. Various 3M reflectors. Child-friendly buckles. Reversed zip for secret compartment. By Deuter for Mercedes-Benz. Size approx. 25 × 34 × 9 cm. B6 695 8434

**15 BOYS' RUCKSACK**

Spring lemon. 96% nylon/4% polyester. Airstripes back. Soft-edged, S-shaped shoulder straps. Chest strap. Mesh outside pockets. Two zipped front pockets. Name label inside. Child-friendly buckles. Key ring. Reflective piping on front pocket. By Deuter for Mercedes-Benz. Size approx. 30 × 42 × 9 cm. B6 695 8435

**16 GIRLS' MESSENGER BAG**

Purple lemon. 100% polyester. Spacious, zipped main compartment. Functional design. Adjustable shoulder strap. By Deuter for Mercedes-Benz. Size approx. 35 × 29 × 9 cm. B6 695 8433



14

15

16





1

**1 AROCS 8x4 HALFPIPE CONSTRUCTION DUMP TRUCK WITH FIGURE** Age 3+. 1:16. Manufacturer: Bruder Toys. yellow/red B6 600 6045



2

**2 AROCS 8x4 CONCRETE MIXER WITH FIGURE** Age 3+. 1:16. Manufacturer: Bruder Toys. red B6 600 6046



3

**3 AROCS 6x4 WITH ROLL-OFF CONTAINER AND FIGURE** Age 3+. 1:16. Manufacturer: Bruder Toys. red/grey B6 600 6044



4

**4 UNIMOG U 406 PULLBACK** Age 3+. 1:43. Manufacturer: Minichamps. B6 604 1211



5

**5 300 SL "GULLWING" W 198 PULLBACK** Age 3+. 1:43. Manufacturer: Minichamps. silver B6 604 1210



6

**6 SILVER ARROW W 125 PULLBACK** Age 3+. 1:64. Manufacturer: Minichamps. silver B6 604 1202



**7 GLA R/C**  
Age 6+. 1:14. Manufacturer: Rastar.  
red B6 696 1705

7



8



9



10

**8-12 3-INCH MODELS**  
Age 3+. Manufacturer: Norev.

**8 SL R231**  
cavansite blue B6 696 0181

**9 RACE CAR TRANSPORTER**  
blue B6 604 1206

**10 FORMULA 1 RACE CAR WITH  
STREAMLINE BODY W 196 R**  
silver B6 604 1205



11

**11 SPRINTER PANEL VAN**  
arctic white B6 600 4093

**12 AROCS CONSTRUCTION  
DUMP TRUCK 6x4**  
andorite grey B6 600 4094



12

**1 CUSHION**

Dark brown/off-white. Cushion cover 100% cotton, filling 100% polyester. Herringbone weave incorporating "1926" logo. By Fraas for Mercedes-Benz. Made in Germany. Size approx. 40 × 40 cm. B6 604 1561



1



**2 BLANKET**

Dark brown/off-white. 100% cotton. Herringbone weave incorporating "1926" logo. Drawstring cotton storage bag with logo print. By Fraas for Mercedes-Benz. Made in Germany. Size approx. 156 × 200 cm. B6 604 1560



2

**3 CLASSIC MINT TIN**

Silver-coloured. Sheet steel. Food safe. Size approx. 6.2 × 4.2 × 2 cm. B6 604 1557<sup>1</sup>



3

**4 SET OF MAGNETS**

9 different Classic motifs. In transparent plastic box. 3 magnets measuring approx. 2.2 × 4.5 cm. 6 magnets measuring approx. 2.2 × 2.2 cm. B6 604 1558<sup>1</sup>



4

**5 MILLE MIGLIA ESPRESSO CUPS, SET OF 2**

Yellow/grey and red/grey. Porcelain. Printed with classic motor racing motifs designed by Wolf Gast. Vintage logo on cups and saucers. By Ritzenhoff for Mercedes-Benz. B6 604 1532



5

RITZENHOFF



6

7

**6 CLASSIC PICNIC HAMPER**

Brown. Stained willow, faux leather handle and straps, lined in 100% cotton. Contents: picnic accessories for 2, comprising white porcelain mugs and plates, wine glasses, stainless steel cutlery, 1 bottle opener, salt and pepper set, 2 cloth serviettes and 1 tablecloth. External dimensions approx. 45 × 30 × 19 cm. B6 695 5295

**7 CLASSIC PICNIC BLANKET**

Beige/blue/brown check pattern. Fleece top side, coated, water-repellent underside. Leather-effect carry handle. Size approx. 140 × 200 cm. B6 604 1475



8

**8 HERITAGE WALL CLOCK**

Silver-coloured/blue/red. Metal case. Dial features classic motor racing motif designed by Wolf Gast. Real glass. Diameter 30 cm. B6 604 5131

**9 CLASSIC NODDING DOG**

Brown. Plastic with synthetic fur. Gold-coloured collar with brass star logo tag. Made in Germany. Size approx. 29 × 18 cm. B6 604 1451



9



1



2

**1 CLASSIC WINE STOPPER**  
 Antique silver-coloured/brown.  
 Stainless steel. Size approx.  
 95 × 30 × 30 mm.  
 B6 604 1534

**2 CLASSIC WINE TOOL SET, TWO-PIECE** Cream beige. Wine stopper with wooden head in form of 300 SL gear knob. Stainless steel waiter's friend. In brown leather box. Size approx. 10.8 × 14.3 × 5.5 cm. B6 604 1474



3

**3 PAPERWEIGHT**  
 Genuine Mercedes bonnet star on black aluminium base. Size approx. 9 × 15.5 × 9 cm. B6 695 1725

**4 CLASSIC WINE STOPPERS, SET OF 4.** Various colours. Wood/stainless steel. Gear knob design. One stopper in form of 300 SL gear knob. Two sizes. Size of gift box approx. 21.5 × 15.5 × 5.5 cm. B6 695 5298



4



**SIGG** 



5



6



7

**5+6 SIGG THERMO MUG**

Black. Stainless steel/plastic. Double-walled vacuum insulation. Fruit acid-resistant. Leakproof. Top, featuring mouthpiece, designed for one-handed use. Non-slip silicone pad on base. Removable tea filter. By SIGG for Mercedes-Benz. Capacity approx. 0.3 l. Keeps contents hot for up to 9 hours or cold for up to 12 hours. B6 695 3127  
Capacity approx. 0.5 l. Keeps contents hot for up to 12 hours or cold for up to 20 hours. B6 695 3128

**7 CLASSIC THERMOS FLASK**

Stainless steel. With removable brown leather cover. Capacity approx. 0.75 l. B6 604 1494

**8 THERMO MUG**

Black. Double-walled glass with removable leather cover. Integral stainless steel tea strainer. Capacity approx. 0.3 l. B6 695 3780

**9 TRUCKER THERMO MUG**

Stainless steel. Plastic handle. Drink opening with slide closure. Capacity approx. 0.45 l. B6 787 0654

**10 TRUCKER THERMOS FLASK**

Stainless steel. Auto stopper for easy pouring. Capacity approx. 0.75 l. B6 787 0655



8



9



10



KAHLA  
PORCELAIN FOR THE SENSES

**1+2 MUG**  
Porcelain with velvety finish. Silicone lid. Dishwasher safe. By Kahla for Mercedes-Benz. Made in Germany. Capacity approx. 300 ml. brilliant blue B6 695 3379<sup>1</sup>. elbaite B6 695 3380<sup>1</sup>

**3 ZIPPO® LIGHTER**  
Black. Brass. By Zippo® for Mercedes-Benz. Made in USA. Size approx. 5.8 × 3.9 × 1.5 cm. B6 695 3357



zippo



RÖSLE  
SINCE 1888

**4 BARBECUE APRON AND BARBECUE TONGS SET**  
Black/silver. Barbecue apron 100% cotton. Barbecue tongs 100% stainless steel. Barbecue tongs by RÖSLE for Mercedes-Benz. Size of barbecue apron approx. 65 × 99 cm. B6 695 2956

**5 FOLDING CHAIR**

Black. Tubular steel frame with hard-wearing polyester cover. Armrests with drinks holder. Mercedes-Benz lettering embroidered on back. Transport bag. Load capacity of up to 160 kg. Packing size approx. 17×97 cm. Weight approx. 4.5 kg. B6 787 1621<sup>2</sup>



5

**6 TRUCKER WALL CLOCK**

Dial and case in aluminium. Black numerals. Quartz movement. Thermometer and hygrometer function. Diameter approx. 30 cm. B6 787 0476



6

**7 ACTROS RADIATOR GRILLE**

**BOTTLE OPENER** Silver-coloured. Diecast zinc with stainless steel surround. Size approx. 70×40×9 mm. B6 787 1619



7

**MÖVE**   
PROFESSIONAL

**8 REVERSIBLE FLEECE TRUCKER BLANKET**

Black/anthracite. 100% polyester fleece. Mercedes star embossed on front. Size approx. 150×200 cm. B6 787 1618

**9 SHOWER/BEACH TOWEL**

Black. 100% cotton. Tonal Mercedes star woven into the design. By möve for Mercedes-Benz. Made in Germany. Size approx. 80×180 cm. B6 695 3607

**10 TRUCKER SHOWER TOWEL**

Black/grey. 100% cotton towelling. Size approx. 70×120 cm. B6 787 0598

**11 TRUCKER HAND TOWEL**

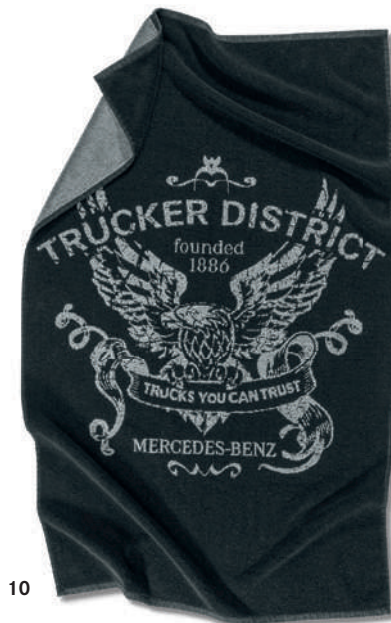
Black/grey. 100% cotton towelling. Size approx. 50×100 cm. B6 787 0599 (not pictured)



8



9



10

<sup>2</sup> Available from June 2017.



**A practical all-rounder with cult status.** Quality, functionality, innovation and iconic design – these cornerstones of the Mercedes-Benz brand are shared by the renowned Swiss company Victorinox. Its legendary Swiss Army knife, first unveiled in 1884, is today available in a wide range of variants, compact and thought through down to the smallest detail. Made for problem solving – and for adventure. But above all to be loved – by everyone, from crafters to heads of state.

VICTORINOX CLIMBER SWISS ARMY KNIFE page 115



VICTORINOX



1

**1 MINI VICTORINOX SWISS  
ARMY KNIFE FOR KEY RING**

Features blade, nail file with screwdriver, scissors, ring, tweezers and toothpick. By Victorinox for Mercedes-Benz. Length approx. 5.8 cm B6 695 3408



2

All products  
on this page



VICTORINOX



3

**2 VICTORINOX CLIMBER SWISS  
ARMY KNIFE**

Black. Stainless steel/plastic. Large and small blade, scissors, multipurpose hook, bottle opener, can opener, reamer, punch and sewing awl, corkscrew, ring and tweezers. By Victorinox for Mercedes-Benz. Length approx. 9.1 cm. B6 695 3409

**3 MULTIFUNCTION TOOL**

Silver-coloured. Stainless steel. 28 tools. Star logo etched on handle. Black leather pouch with belt loop. By Victorinox for Mercedes-Benz. Swiss made. Size with pouch approx. 4 × 12 × 3.5 cm. B6 695 3417<sup>1</sup>

**4 VICTORINOX SWISS CHAMP  
SWISS ARMY KNIFE**

Black. Stainless steel/plastic. Officer's knife with 33 tools. By Victorinox for Mercedes-Benz. Length approx. 9.1 cm. Weight approx. 185 g. B6 695 3410



4

<sup>1</sup> Available from May 2017.

# Mercedes-Benz Parfums.

The first fragrance for men and for women.



INCC - Licensee of Daimler AG

Mercedes-Benz





1

**1 MERCEDES-BENZ PERFUME FOR MEN** Eau de toilette. Combination of woody nuances and floral freshness. Atomiser. Capacity approx. 75 ml. B6 695 8225  
Capacity approx. 40 ml. B6 695 8372 (not pictured)



2

**2 MERCEDES-BENZ PERFUME FOR WOMEN** An accord of mimosa and violet. Eau de parfum. Atomiser. Capacity approx. 60 ml. B6 695 8226  
Capacity approx. 30 ml. B6 695 8373 (not pictured)

**3+4 NAIL POLISH**

In genuine paintwork colour. By LCN. Made in Luxembourg. Contents approx. 8 ml.  
jupiter red B6 695 3378  
diamond white B6 695 3097

**5 NAIL POLISH, SET OF 3**

In genuine paintwork colours jupiter red, mountain grey and south seas blue. By LCN. Made in Luxembourg. Contents approx. 8 ml per polish. B6 695 3377



5



3

4





1

**1 CAR KEY USB STICK**

Black/silver-coloured. Chromed plastic. In form of car key (20% smaller than original). 8 GB. PC and Mac®-compatible. Separate USB cable. B6 695 0047



2

**2 CLASSIC WIRELESS COMPUTER MOUSE**

Silver-coloured. In form of 300 SL. LED headlamps and tail lights with On/Off switch. 2.4 GHz wireless technology. USB nano receiver. High-resolution optical sensor with switchable sensitivity (between 800 dpi and 1600 dpi). 1 × AA battery included. System requirements: Windows® 8, Windows® 7, Vista, XP, 2000, ME or Mac® OS X. B6 604 1488



3

**3 CLASSIC 300 SL USB STICK**

Silver-coloured. Plastic. In form of 300 SL. USB 2.0, 4 GB. PC and Mac®-compatible. B6 604 1576<sup>2</sup>



4

**4 POWER BANK**

Black. Aluminium/plastic. Rechargeable via USB port. 5000 mAh. USB to micro USB cable. USB to Lightning port cable for the iPhone®, incl. MFI certification. Size approx. 7 × 12.3 × 1 cm. B6 695 3237<sup>1</sup>

**5+6 USB FLASH DRIVE**

USB flash drive. Plastic. 8 GB storage capacity. USB 2.0. Compatible with all standard operating systems. Size approx. 6 × 1.4 × 3 cm. black/silver-coloured B6 695 3148. white/silver-coloured B6 695 3230



5

6

(Intenso)<sup>®</sup>

<sup>1</sup> Available from May 2017.





Lanybook®

**7 LANYBOOK**

Black with contrasting stitching. Synthetic cover. Squared pages. With silver-grey bookmark and pen loop. By Lanybook for Mercedes-Benz. Size approx. 17.5 × 24.7 cm. Approx. 192 pages. B6 695 2735



**8 LED TORCH**

Black. Aluminium. 80 lumen. Run-time of approx. 10 hours. Beam range of up to 150 m. Length approx. 16 cm. B6 695 3318



**9 LED TORCH**

Black. Aluminium. 260 lumen. Run-time of approx. 50 hours. Beam range of up to 160 m. Focus control. Length approx. 32 cm. B6 695 3317

**10 USB CHARGER**

Intelligent “smart charging” and an output of up to 2 × 2.4 A allow you to power up quickly and conveniently via the cigarette lighter while you’re on the move. With protection against overheating and subtly illuminated USB ports that make the charger easy to use in the dark, too.

A213 821 5700





Readers of the German model car magazine “Modellautos” have voted us “top vehicle brand” **for the fifth time in a row.** Making our little miniatures big winners yet again.

Visit your Mercedes-Benz partner to discover the fascination and passion behind our range of over 350 detailed collector’s items.





1

**1 SL ROADSTER, R231**

1:43. Manufacturer: Minimax.  
selenite grey B6 696 0532.  
brilliant blue B6 696 0533



2

**2 E-CLASS S213, AMG LINE**

1:43. Manufacturer: iScale.  
selenite grey B6 696 0381.  
designo hyacinth red metallic  
B6 696 0382  
1:18. EXCLUSIVE. Manufacturer:  
iScale.  
cavansite blue B6 696 0383  
(not pictured).  
iridium silver B6 696 0384  
(not pictured)



3

**3 C-CLASS CABRIOLET  
AMG LINE A205**

1:18. Manufacturer: iScale  
iridium silver B6 696 0612.  
designo diamond white bright  
B6 696 0613



4

**4 GLC COUPÉ, C253**

1:43. Manufacturer: Minimax  
selenite grey B6 696 0803.  
designo diamond white bright  
B6 696 0802  
1:18. AMG Line. Manufacturer: iScale  
diamond silver B6 696 0804  
(not pictured).  
brilliant blue B6 696 0805  
(not pictured)



1

**1 280 SE CABRIOLET W 111 (1968-1971)**  
1:18. Manufacturer: Norev.  
sand beige metallic B6 604 0629



2

**2 280 SE W 108 (1967-1972)**  
With German headlamps  
1:18. Manufacturer: Norev.  
beige B6 604 0631



3

**3 SAUBER-MERCEDES C9 (1989)**  
Winner of 1989 24h of Le Mans,  
drivers Mass, Dickens, Reuter.  
1:43. Manufacturer: Minichamps.  
silver B6 604 1033

**4 150 SPORTROADSTER W 30 (1935)** 1:43. Manufacturer: Minimax/  
Spark. red B6 604 0590



4

**5 2.5 L FORMULA 1 RACE CAR W 196 R (1954)** With free-standing  
wheels. 1:43. Manufacturer: Minimax/  
Spark. silver B6 604 0584



5



6

**6 300 CE-24 CABRIOLET A 124 (1992-1993)** 1:18. Hersteller: Norev.  
almandine red metallic B6 604 0616



7

**7 ACTROS SLT**

1:87. Manufacturer: Herpa.  
deep orange B6 600 5029



8

**8 AROCS 8x4 CONCRETE MIXER**

1:50. Manufacturer: NZG.  
white B6 600 5021



9

**9 ACTROS TRACTOR UNIT, GIGASPACE CAB 2.5**

1:18. Manufacturer: NZG.  
diamond white B6 600 6402

**10 UNIMOG U 430. ROAD-RAIL VEHICLE WITH COMBINATION MOWING IMPLEMENT**

1:50. Manufacturer: NZG.  
yellow B6 600 4202

**11 UNIMOG U430 DROPSIDER (EURO 6)**

1:50. Manufacturer: NZG.  
white B6 600 4153

**12 UNIMOG U 430 ROAD-RAIL SHUNTING VEHICLE**

1:50. Manufacturer: NZG  
B6 600 4201



10



11



12





AMG

## 8:30 p.m. // After work

MEN'S PERFORMANCE JACKET page 126, MEN'S POLO SHIRT page 126



**1 MEN'S POLO SHIRT**

White with grey and black contrasts. 100% cotton piqué. Padding in shoulder area. Black AMG logo embroidered on front and on collar band. Large 3D AMG print on back in black. Sizes S-XXL. B6 695 6772-6776

**2 MEN'S POLO SHIRT**

Black with white and red contrasts. 100% cotton piqué. Padding in shoulder area. White AMG logo embroidered on front and on collar band. Large 3D AMG print on back in white. Sizes S-XXL. B6 695 7490-7494

**3 MEN'S FLEXFIT AMG CAP**

Black. Contrasts in white and red. Tactel: 83% nylon/14% cotton/3% elastane. Flexible stretch band for a comfortable fit. B6 695 2886



3



**4 MEN'S T-SHIRT**

Black with white and silver-coloured contrasts. 100% cotton. Slim fit. Reflective AMG GT headlamp motif on back. Sizes XS-XXL. B6 695 8303-8308

**5 MEN'S PERFORMANCE JACKET**

In selenite grey. 100% polyester. Wind and water-repellent coating. Detachable hood. Various inside pockets. Adjustable cuffs. Slim fit. White AMG logo print on front. Sizes S-XXL. B6 695 7495-7499



5

**6 AMG LANYARD**

Red/black. Nylon/metal/plastic. Carbon-fibre-look front part. Click lock fastener. Snap hook and split ring. Safety clasp. Length approx. 53 cm. Width approx. 2 cm. B6 695 3852



6





**Dynamic design meets meticulous craftsmanship.** The exclusive AMG leather accessories are all handmade in Germany. Skilled artisans create the AMG collection from the finest Italian leather and lambskin. Attractive details such as red topstitching and the characteristic perforated pattern reference the dynamic design of the AMG seats and highlight the sporty feel.



1

**1 AMG BUSINESS BAG**

Black with red topstitching. Leather. Zipped main compartment, various inner compartments. Additional compartment for laptop. Padded, adjustable shoulder strap. Leather loop at back for slotting over towbar of trolley suitcase. Handmade in Germany. B6 695 2986



2

**2 AMG CREDIT CARD WALLET**

Black with red contrasts. Combination of grained and perforated leather. Stainless steel money clip. AMG inner lining. Handmade in Germany. Size approx. 6.5 x 10 x 0.5 cm. B6 695 4541



3

**3 AMG WALLET**

Black with red topstitching. Leather. Various compartments for notes, coins and cards. Handmade in Germany. Size approx. 12.5 x 9.5 x 2 cm. B6 695 3227



4

#### 4 AMG BUSINESS WEEKENDER

Black with red contrasting stitching. Leather/nylon. Various compartments on inside and outside. Reinforced base with feet. Detachable, adjustable shoulder strap. Handles and carrying strap modelled on seat belt. Size approx. 50 × 33 × 28 cm. Capacity approx. 34 l. B6 695 4554



5

#### 5 AMG BELT

Black with red contrasting stitching. Leather/stainless steel. Combination of grained and perforated leather. Handmade in Germany. Length approx. 120 cm. B6 695 4551



7

#### 6 TRAFFIC RED AMG KEY RING

Black/red/gunmetal. Leather/stainless steel combination. Flat split ring with three additional mini split rings so you can quickly change/remove individual keys. Made in Germany. Length ca. 11.5 cm. B6 695 3337



6

#### 7 AMG KEY RING

Silver-coloured/black/red. Stainless steel/carbon fibre. Flat split ring with three mini split rings for quick removal/replacement of individual keys. AMG logo on front. Designed in Germany. Length approx. 9 cm. B6 695 3338

#### 8 AMG iPhone® 7 SLEEVE

Black with red topstitching. Leather. Handmade in Germany. Size approx. 7 × 14 × 1.5 cm. B6 695 4553



8



**1 MEN'S POLO SHIRT**

White with black details. 100% mercerised cotton piqué. AMG logo embroidered on collar band. Slightly fitted. Size S-XXL. B6 695 3655-3659

**2 MEN'S PERFORMANCE POLO SHIRT**

Black. 100% polyester Coolmax®. Breathable, wicks moisture away from the skin. AMG logo embroidered on collar band. Rounded hem at back. Mesh panels at sides. Slightly fitted. Size S-XXL. B6 695 3788-3792



**3 MEN'S AMG CAP**

Black. Outer material 100% polyamide. Lining 100% cotton. Metal clasp for adjusting fit. B6 695 2706

**4 MEN'S PERFORMANCE JACKET**

Black. 100% polyester. Breathable, wind-repellent and water-repellent. Hood can be detached and packed away into collar. Two-way zips for underarm ventilation. Inside pocket for mobile phone. AMG logo print on front and on inside of nape. Sizes S-XXL. B6 695 4524-4528

**5 WOMEN'S T-SHIRT**

Black with white and silver contrasts. 95% cotton/5% elastane single jersey. Reflective AMG GT headlamp motif on back. Slim fit. Sizes XS-XL. B6 695 8298-8302



5



6

**6 WOMEN'S PERFORMANCE JACKET**

Black. 100% polyester. Breathable, wind-repellent and water-repellent. Hood can be detached and packed away into collar. Two-way zips for underarm ventilation. Inside pocket for mobile phone. AMG logo print on front and on inside of nape. Sizes XS-XL. B6 695 4500-4504



7

**7 WOMEN'S POLO SHIRT**

Black with white details. 100% cotton piqué. AMG logo embroidered on collar band. Slightly fitted. Size XS-XL. B6 695 3793-3797



8

**8 WOMEN'S POLO SHIRT**

Black with white, red and grey contrasts. 95% cotton/5% elastane single jersey. Button band with press-studs. Lightly padded shoulders. Slim fit. Large 3D AMG print on back. Sizes XS-XL. B6 695 8293-8297



9

**9 WOMEN'S AMG CAP**

White. Outer material 100% polyester. Lining 100% cotton. Metal clasp for adjusting fit. B6 695 2707



1



2

**1 "AMG GT R" KEY RING**  
 Silver-coloured/black/yellow/green. Stainless steel/carbon fibre. Flat split ring with three mini split rings for quick removal/replacement of individual keys. Front features replica of "GT R" lettering found on rear of vehicle, back features AMG logo. Designed in Germany. Length approx. 9 cm. B6 695 3340

**2 AMG MUG**  
 Anthracite/solarbeam yellow. Porcelain. With black AMG and GT logo print. Capacity approx. 0.3 l. B6 695 2749



3

**3 "AMG GT" KEY RING**  
 Silver-coloured/black/yellow. Stainless steel/carbon fibre. Flat split ring with three mini split rings for quick removal/replacement of individual keys. Front features replica of "GT" lettering found on rear of vehicle, back features AMG logo. Designed in Germany. Length approx. 9 cm. B6 695 3339

**4 MEN'S SWEAT JACKET**  
 In selenite grey with black and solarbeam yellow contrasts. 73% cotton/27% polyester. Drawstring hood. Two side pockets. Slim fit. Black 3D AMG logo embroidered on left front. Sizes S-XXL. B6 695 7980-7984



4

**5 MEN'S AMG GT R CAP**  
 In selenite grey with black, green and solarbeam yellow contrasts. Outer material 100% nylon. Lining 100% cotton. Black 3D GT R logo embroidered on back. AMG logo embossed on metal clasp. Adjustable fit. B6 695 3207

**6 AMG GT CAP**  
 Anthracite. Outer material 100% nylon. Lining 100% cotton. AMG logo embroidered on front. Embroidered letters GT. Metal clasp for adjusting fit. B6 695 2708



5

6

**7 MERCEDES-AMG GT USB STICK**  
 In solarbeam yellow. Metal/plastic. In form of Mercedes-AMG GT car. USB 2.0. 16 GB. Compatible with all standard operating systems. B6 695 2802



7



**MEN'S AMG GT R CAP** page 132, **AMG MUG** page 132, **MEN'S SWEAT JACKET** page 132, **"AMG GT" KEY RING** page 132,  
**200-PIECE AMG GT JIGSAW** page 134, **MERCEDES-AMG GT S ELECTRIC CAR** page 99



1

**1+2 CHILDREN'S T-SHIRT**

100% cotton. Single-rib crew neck. Slightly fitted. AMG logo printed in nape. Large AMG logo printed on back. Sizes 116/122 to 152/158. red B6 695 2943-2946. white B6 695 3037-3040



2

**3 CHILDREN'S AMG CAP**

White/red. Outer material 100% polyamide. Lining 100% cotton. Metal clasp for adjusting fit. B6 695 2709



3



4

**4 200-PIECE AMG GT JIGSAW**

Printed motif of an AMG GT. Age 8+. Size of completed jigsaw approx. 470 x 330 mm. B6 695 2997

**5 CHILDREN'S AMG GT CUSHION**

Red/yellow/anthracite/white. 100% polyester. By NICI® for Mercedes-Benz. Size approx. 43 x 25 cm. B6 695 3098



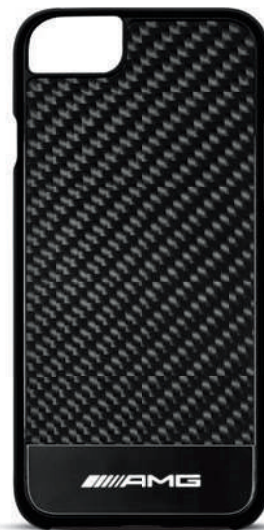
5







6



7

**6 AMG CREDIT CARD WALLET**  
Carbon-fibre-look leather. Various card and banknote compartments. Handmade in Germany. Size approx. 10.5 × 11.5 × 1.5 cm. B6 695 4552

**7 CASE FOR iPhone® 7/6S**  
Black/silver-coloured. Plastic/aluminium. Hard case in genuine carbon fibre. Engraved "AMG" lettering. Size approx. 6.5 × 13.5 × 1.0 cm. B6 695 4031

**8 AMG MINI WALLET**  
Black. Carbon leather. Various compartments inside. Handmade in Germany. Size approx. 10.5 × 7.5 × 1.5 cm. B6 695 9996



8

**9 AMG VEHICLE REGISTRATION WALLET**  
Black. Carbon leather. Transparent mesh compartment for vehicle documents. Various compartments for credit cards and banknotes. Handmade in Germany. Size approx. 8.5 × 12 × 0.8 cm. B6 695 9995



9

**1 ROLLERBALL**

Black/silver-coloured. Metal. Lower part trimmed in carbon leather. AMG logo on top of cap. Made in Germany. B6 695 5550



1

**2 AMG G 65 USB FLASH DRIVE**

White/black. Metal/plastic. 16 GB storage capacity. USB 2.0. Compatible with all standard operating systems. Size approx. 7.8 × 2.8 × 2.6 cm. B6 695 3229<sup>1</sup>



2

**3+4 AMG CARBON KEY RING**

Carbon fibre-look leather. Matte brushed stainless steel. Pull/twist mechanism. Length approx. 10 cm. black B6 695 3848. white B6 695 3849



4



5



**5 AMG SUNGLASSES**

Anthracite-coloured titanium frame. Green-grey lenses. Optics by Carl Zeiss Vision. UV 400 (100% UVA/UVB protection). Filter category 3. Anti-reflective coating on inside. Made in Germany. B6 695 9920



6

**6 MEN'S AMG WALLET**

Black. Lambskin. Various compartments inside. Handmade in Germany. Size approx 12 × 9.2 × 1.5 cm. B6 695 9992

**7 AMG COMPACT UMBRELLA**

Black/red. Aluminium/polyester. Special water and dirt-repellent coating. "Windproof" design. Automatic opening and closing. Aluminium shaft. Handle trimmed in perforated leather. Length approx. 58 cm. Diameter when open approx. 105 cm. B6 695 3676<sup>2</sup>



**8 AMG GUEST UMBRELLA**

Black/red. 100% polyester canopy. Perforated leather handle and matte chromed cap. Automatic opening. Special water and dirt-repellent coating. "Windproof" design. White logo print. Diameter when open approx. 105 cm. B6 695 3677<sup>2</sup>



**9 AMG COFFEE2GO CUP**

White with black/red/grey details. Porcelain. Transparent Magic Grip sleeve for protection from hot contents. White logo print. By Kahla for AMG. Made in Germany. Capacity approx. 470 ml. B6 695 3320<sup>1</sup>



KAHLA  
PORCELAIN FOR THE SENSES



KAHLA  
PORCELAIN FOR THE SENSES

**10 AMG MUG**

White/black. Carbon fibre-look design on outside. Porcelain. Magic Grip on base. By Kahla for AMG. Made in Germany. Capacity approx. 350 ml. B6 695 3358<sup>1</sup>



**11 ESPRESSO CUPS, SET OF 2**

White/black. Porcelain. Carbon fibre-look design on the outside of cups and on saucers. By Kahla for AMG. Made in Germany. Capacity approx. 90 ml. B6 695 3359<sup>1</sup>

<sup>1</sup> Available from April 2017.

<sup>2</sup> Available from June 2017.



Over 100 years ago **Wilhelm MAYBACH and his son Karl MAYBACH** laid the foundations for a high-end automobile brand which quickly attained legendary status. For decades now the MAYBACH brand has been synonymous with the highest standards of quality and luxury. Its hallmarks include exquisite, intricately crafted materials and outstanding design. Precision craftsmanship and attention to detail define the brand's characteristic style which appeals to all of the senses. These same qualities can be seen today in the MAYBACH – ICONS OF LUXURY range.



1

2

### 1 MAYBACH HOLDALL

Black, with beige lining. Beige topstitching on handles and along zips. 100% calfskin. Two separate inner compartments, various outer compartments. MAYBACH lettering embossed on back. Made in Germany. Size approx. 52 × 48 × 18 cm. B6 695 8073

### 2 MAYBACH BUSINESS BAG

Black. Inner material: beige. Beige topstitching on handles and along zips. 100% calfskin. Large main compartment, various inner and side compartments. Detachable, adjustable and padded shoulder strap. MAYBACH lettering embossed on back. Made in Germany. Size approx. 38 × 41 × 10 cm. B6 695 8072

### 3 MAYBACH LAPTOP BAG

Black. Calfskin/nylon. Padded inner compartment and various other compartments. Padded, adjustable and detachable shoulder strap. Two-way zip fastening. MAYBACH lettering on strap and on back. Size approx. 40 × 30.5 × 9 cm. B6 695 3329

3

**1-3 MAYBACH BUSINESS CARD**

**WALLET** Black. Nappa lambskin.  
 Three slip pockets. MAYBACH lettering  
 embossed on back. Made in Germany.  
 Size approx. 10.5 × 7 cm.  
 black B6 695 8068.  
 nut brown B6 695 8223.  
 silk beige B6 695 8224

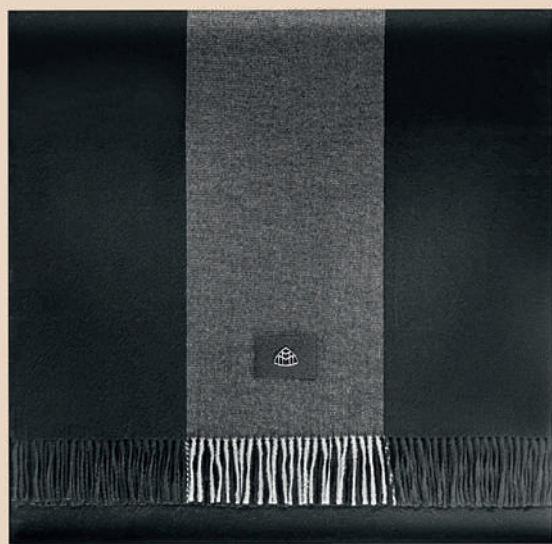
**4 MAYBACH WALLET**

Black. Nappa lambskin. Various  
 compartments inside. Size approx.  
 11 × 9.5 × 2.5 cm. B6 695 3330



**5 MAYBACH CUFFLINKS**

Black. Glass on silver rhodium.  
MAYBACH lettering engraved on  
back. Made in Germany. Size  
approx. 2 × 1.5 cm. B6 695 8071

**6 MAYBACH BLANKET**

Black/anthracite. Pure new lambs-  
wool. Upper side: leather patch with  
three-dimensional metal double M  
logo. Made in Germany. Size approx.  
1.30 × 1.90 m B6 695 8070

**7-9 MAYBACH KEY RING**

Nappa leather. Made in Italy.  
Size approx. 6 × 9.5 cm.  
black B6 695 8069.  
nut brown B6 695 8221.  
silk beige B6 695 8222.

6

7

8

9



### Filter categories for sunglasses

Four filter categories are used for sunglasses, based on the degree of tint. Please use the table below to decide which category best suits your needs.

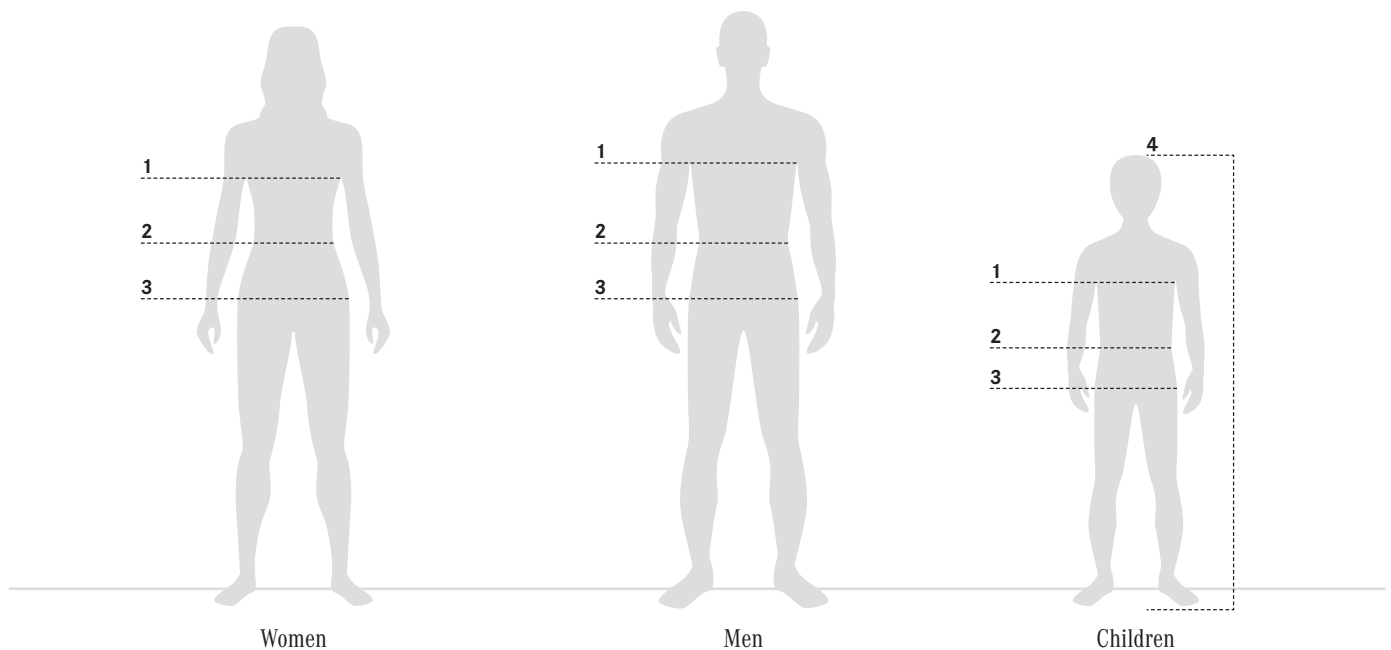
CATEGORY	Tint	Protection/light conditions
1	20-57%	Light protection for overcast days
2	57-82%	Normal protection for summer days in Central Europe
3	80-92%	High protection for expanses of water, beaches and mountains, plus Southern European countries; from 90% tint not suitable for driving!
4	92-97%	Maximum protection for high mountains and glaciers; not suitable for driving!

### Clothing sizes

The tables below are designed to help you find your perfect size. It is important to take your measurements correctly. For best results, you should be relaxed and wearing only your underwear. Ideally you should use a tape measure which you should keep close to the body. If you have someone to help you, it will be easier and more precise.

- BUST/CHEST:** keeping the tape measure horizontal, measure around the fullest part of the bust/chest
- WAIST:** measure around the waist without drawing the tape measure too tight
- HIPS:** keeping the tape measure horizontal, measure around the fullest part of the hips
- HEIGHT** (for children's clothing): measure from the top of the head to the sole of the feet without shoes

Please note: separate tables are provided for the PUMA brand and the official MERCEDES AMG PETRONAS clothing.





## Women

SIZE	XS	S	M	L	XL
BUST (CM)	77-82	83-88	89-94	95-100	101-106
WAIST (CM)	61-66	67-72	73-78	79-84	85-90
HIPS (CM)	87-92	93-98	99-104	105-110	111-116

## Men

SIZE	XS	S	M	L	XL	XXL	XXXL
CHEST (CM)	85-90	91-96	97-102	103-108	109-114	115-120	121-126
WAIST (CM)	78-82	83-87	88-93	94-99	100-105	106-111	112-117
HIPS (CM)	89-94	95-100	101-106	107-112	113-118	119-124	125-130

## Children

SIZE	116 / 122	128 / 134	140 / 146	152 / 158
AGE (YEARS)	6-7	8-9	10-11	12
CHEST (CM)	58-62	63-68	69-74	75-80
WAIST (CM)	55-56	57-59	60-62	63-65
HIPS (CM)	62-67	68-73	74-80	81-87
HEIGHT (CM)	114-125	126-137	138-149	150-161



+ all official



## Women

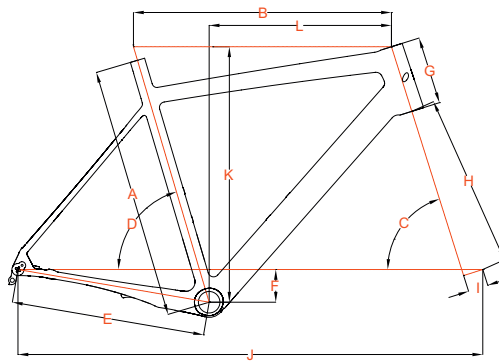
SIZE	XS	S	M	L	XL
BUST (CM)	82	86	91	96	101
WAIST (CM)	65	68	74	80	86
HIPS (CM)	93	96	101	106	112

## Men

SIZE	XS	S	M	L	XL	XXL
CHEST (CM)	84	92	100	108	116	124
WAIST (CM)	76	82	88	96	104	114
HIPS (CM)	88	95	102	110	118	126

## Children

SIZE	104	116	128	140	152
CHEST (CM)	56	59	64	70	76
WAIST (CM)	53	55	59	63	67
HIPS (CM)	59	63	69	75	81
HEIGHT (CM)	104	116	128	140	152



Size - Raven Elite Carbon Mountain Bike

	XS	S	M	L
HEIGHT (IN CM)	158-168	168-174	174-184	184-196
A FRAME SIZES	380 mm	420 mm	460 mm	500 mm
B TOP TUBE	566 mm	592 mm	608 mm	629 mm
C HEAD TUBE ANGLE	69.5°	69.8°	69.8°	69.8°
D SEAT TUBE ANGLE	74.5°	74.5°	74.5°	74.5°
E CHAIN STAY LENGTH	425 mm	435 mm	435 mm	435 mm
F BB DROP	47 mm	68 mm	68 mm	68 mm
G HEAD TUBE	100 mm	104 mm	107 mm	130 mm
H FORK LENGTH	487 mm	501 mm	501 mm	501 mm
I FORK RAKE	44 mm	44 mm	44 mm	44 mm
J WHEELBASE	1074 mm	1100 mm	1116 mm	1139 mm
K STACK	580 mm	620 mm	623 mm	644 mm
L REACH	405 mm	420 mm	435 mm	450 mm

Size - Cayo Disc Ultegra Carbon Road Bike

	XS	S	M	L	XL
HEIGHT (IN CM)	158-168	168-174	174-186	182-192	188-198
A FRAME SIZES	480 mm	510 mm	540 mm	570 mm	600 mm
B TOP TUBE	503 mm	537 mm	552 mm	569 mm	589 mm
C HEAD TUBE ANGLE	71°	72°	72.5°	73.5°	73.5°
D SEAT TUBE ANGLE	75.5°	73.5°	73.5°	73.5°	73.5°
E CHAIN STAY LENGTH	415 mm	415 mm	415 mm	415 mm	415 mm
F BB DROP	70 mm	70 mm	70 mm	70 mm	70 mm
G HEAD TUBE	115 mm	130 mm	145 mm	165 mm	185 mm
H FORK LENGTH	370 mm	370 mm	370 mm	370 mm	370 mm
I FORK RAKE	43 mm	43 mm	43 mm	43 mm	43 mm
J WHEELBASE	978 mm	984 mm	995 mm	1002 mm	1022 mm
K STACK	513 mm	531 mm	547 mm	569 mm	589 mm
L REACH	370 mm	380 mm	390 mm	400 mm	415 mm

Size - Crater Lake Fitness Bike/Aventura Trekking Bike

	S	M	L	XL
HEIGHT (IN CM)	158-168	168-178	178-188	188-198
A FRAME SIZES	450 mm	500 mm	550 mm	600 mm
B TOP TUBE	570 mm	580 mm	595 mm	610 mm
C HEAD TUBE ANGLE	71°	71.5°	71.5°	71.5°
D SEAT TUBE ANGLE	74°	73.5°	73°	72.5°
E CHAIN STAY LENGTH	465 mm	465 mm	465 mm	465 mm
F BB DROP	60 mm	60 mm	55 mm	55 mm
G HEAD TUBE	135 mm	135 mm	170 mm	220 mm
H FORK LENGTH	465 mm	465 mm	465 mm	465 mm
I FORK RAKE	45 mm	45 mm	45 mm	45 mm
J WHEELBASE	1093 mm	1092 mm	1104 mm	1114 mm
K STACK	613 mm	616 mm	644 mm	691 mm
L REACH	394 mm	398 mm	398 mm	392 mm

Lanybook®  RITZENHOFF  VICTORINOX

zippo®   (Intenso)® 

 BREE   

CODELLO    

December 2016. Please note: changes may have been made to the products since this catalogue went to press (12/2016). The manufacturer reserves the right to make changes to the design, form, colour and specification during the delivery period, provided these changes, while taking into account the interests of the vendor, can be deemed reasonable with respect to the purchaser. Where the vendor or the manufacturer uses symbols or numbers to describe an order or the subject of an order, no rights may be derived solely from these. The illustrations may show accessories and optional extras which are not part of standard specification. Colours may differ slightly from those shown, owing to the limitations of the printing process. This publication may contain products and services which are not available in certain countries. Information given regarding statutory regulations, legal requirements and taxation and the consequences thereof applies to the Federal Republic of Germany only and is correct at the time of going to press. Please consult your Mercedes-Benz retailer for final details.

Daimler AG, Mercedesstr. 137, 70327 Stuttgart  
Mercedes-Benz Accessories GmbH - A Daimler Company

3240 · 0220 · 02-01/0217 Printed in the Federal Republic of Germany  
© Copyright 2017 Mercedes-Benz Accessories GmbH. All rights reserved.